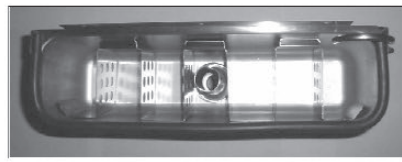


Item No. \_\_\_\_\_

Quantity \_\_\_\_\_

Model No.  
 77316-7      77316-10  
 77316-13    77316-19

**Spade Well  
 Ice Cream Spade  
 Cleaning Well**



**Standard Features:**

- Ice Cream Spade Cleaning Well
- Well is constructed of 300 series Stainless Steel
- 3/8" diameter spigot for running water
- Spigot can be installed for left or right side operation
- Available one piece Dividers create compartments for holding spades upright and is easily removable for cleaning (except 77316-7)
- Overflow Drain Tube is easily removable
- Rubber bumper on rim provides protection and sound deadening when removing water from spades
- Design incorporates user friendly rounded corners
- Available Installation Kit includes plumbing components required for "universal" installation of water supply and drain for easy installation by a plumber.

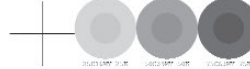
**\*\* Do Not Install in Food Zone or Sink Compartment.**



NEMCO Food Equipment, Ltd.  
 301 Meuse Argonne  
 P.O. Box 305  
 Hicksville, OH 43526  
 Phone (419) 542-7751  
 FAX (419) 542-6690  
 www.nemcofoodequip.com

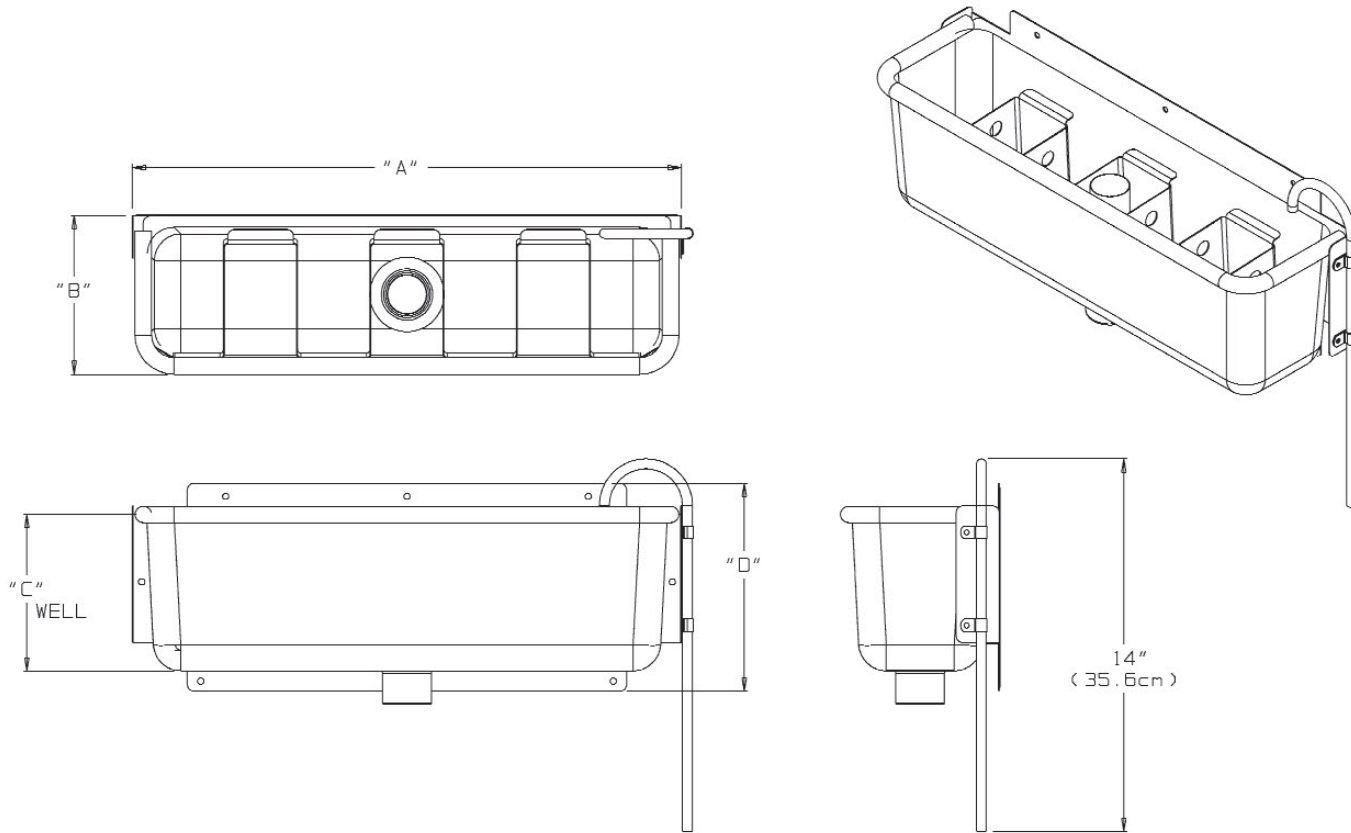
\\anapagedata\ob\vol1\8573\page 211es-co 3-p\8573.nsf Page 8973001 Author: Sarpage Systems, Inc. Title: ExtractSpade Creator: Sarpage Systems, Inc. Date: 2/21/10 10:51:10 AM  
 2400.0 dpi (Screened Data File P02) P02-Beardre, Yono, Std-GVF 9/ru-a-ed @pc Colors | A30:100 Scaling Percent: 100% H: 100 W: 100  
 PS Version: 3005.102 300 Version: 7.0 Rev: 01 03 RST, shipped on Friday, February 19, 2010 7:50:10 AM  
 ID: 6646042





**Model No.**  
**77316-7      77316-10**  
**77316-13    77316-19**

AIA File No.



**Specifications:**

Model No.	"A" Inches	"B" Inches	"C" Inches	"D" Inches	Shipping Weight lbs./(Kg)
77316-7	7	6 1/4	4	5 7/8	5 (2.3)
77316-10	10 3/8	6 1/2	4	5 7/8	6 (2.7)
77316-13	12 3/4	6 3/4	4	5 7/8	7 (3.2)
77316-19	20 5/8	6 1/8	6	7 7/8	11.5 (5.2)

Note: Dimensions are approximate.

**Typical Specifications**

Spade Well Ice Cream Spade Cleaning Well has a stainless steel body and is equipped with a rubber bumper. Spade Well models are listed with the National Sanitation Foundation (NSF).

\*\* Food Zone: Equipment surfaces intended to be in direct contact with food and equipment surfaces that food or condensate may contact and then drain, drip, or splash back into food or onto surfaces that are intended to be in direct contact with food. For example: directly installed within the ice cream cabinet is a food zone (REF: NSF STD NSF/ANSI 170 - Glossary of food equipment Terminology, Section 3.223.2)



NEMCO Food Equipment, Ltd.  
 301 Meuse Argonne, P.O. Box 305  
 Hicksville, OH 43526  
 Phone (419) 542-7751  
 FAX (419) 542-6690  
 www.nemcofoodequip.com

\\anapgedata\ob\vol18573\page 211es-co 3-p18573.pdf Page 8973002 Author: Sarge Page 8973002 Author: Sarge Page 8973002 Author: Sarge Page 8973002 Author: Sarge Page 8973002 Author: Sarge  
 2400.0 dpi (Screened Data File P08, P09, P10, P11, P12, P13, P14, P15, P16, P17, P18, P19, P20, P21, P22, P23, P24, P25, P26, P27, P28, P29, P30, P31, P32, P33, P34, P35, P36, P37, P38, P39, P40, P41, P42, P43, P44, P45, P46, P47, P48, P49, P50, P51, P52, P53, P54, P55, P56, P57, P58, P59, P60, P61, P62, P63, P64, P65, P66, P67, P68, P69, P70, P71, P72, P73, P74, P75, P76, P77, P78, P79, P80, P81, P82, P83, P84, P85, P86, P87, P88, P89, P90, P91, P92, P93, P94, P95, P96, P97, P98, P99, P100)  
 PS Version: 3005.102 KON Version: 7.0 Rev: 1.0 on 95 RST, shipped on Friday, February 19, 2010 7:50:25 AM  
 ID: 86483024