



Simply Engineered Better

201HT

Undercounter High Temperature Dishwashing Machine with Built-in Booster Heater



NEW!

SPECIFIER STATEMENT

Specified unit will be Moyer Diebel Model 201HT undercounter high temperature dishwashing machine with built-in booster.

Features include 15-3/4" door opening, standard detergent and rinse-aid dispensing pumps. Built-in 40°F/22°C rise booster, and wash tank heater maintains water required temperature.

1 year parts and labor warranty.



Project _____
 Item No. _____
 Quantity _____

201HT UNDERCOUNTER

STANDARD FEATURES

- Rinse Sentry feature ensures proper 180°F/82°C final rinse temperature.
- Built-in booster provides 180°F/82°C final rinse water.
- Pumped drain.
- Detergent and rinse-aid pumps.
- 15-3/4" [400mm] door opening accommodates larger wares, including trays!
- Upper and lower interchangeable wash/rinse arms produce sparkling clean ware every time.
- Fully automatic wash/rinse cycle processes a rack of wares in 140 seconds ... 21 racks an hour!
- Complete with two 20" x 20" [508mm x 508mm] racks (peg rack and flat rack).
- Stainless steel top and side panels.
- Thermostatically controlled wash tank heater maintains water at the required temperature.
- Heavy-duty stainless steel construction.
- Fill and dump.
- One year parts and labor warranty.

OPTIONS & ACCESSORIES

- 70°F/39°C rise booster
- CST – Combination sink/table Machine on right P/N 403561
- CST – Combination sink/table Machine on left P/N 403562
- Flat bottom dishrack P/N 101273
- Peg dishrack P/N 101285
- 6" Stand P/N 0710809
- 17RS – 17" Stand P/N 0710852

MD031 Printed in U.S.A.

Moyer Diebel – USA

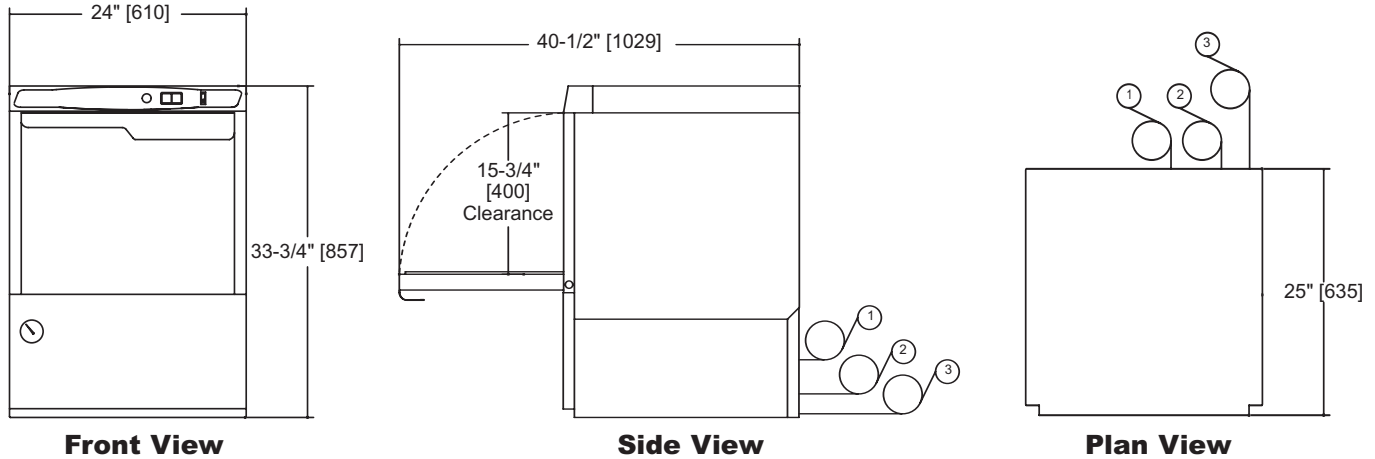
P.O. Box 4183, Winston-Salem, NC 27115 Tel: 336/661-1992 Fax: 336/661-1979 800/228-8350 www.moyerdiebel.com

Moyer Diebel Ltd. – Canada

2674 North Service Rd., Jordan Station, Ontario, Canada L0R 1S0 Tel: 800/263-5798 Fax: 905/562-4618 sales@moyerdiebellimited.com



Dimensions shown in inches and [millimeters]



Utilities

1 Electrical Connection 115/208-240/60/1; 3 wire + ground hard wiring required (see box)
2 Water Connection 140°F Min., hot water connection for 40°F rise booster 110°F Min., hot water connection for 70°F rise booster 6 ft. long, 1/2" I.D. flexible fill hose with 3/4" hose connector Flow pressure: 25-95 psi (173-656 kPa)
3 Drain Connection 6 ft. long, 5/8" I.D. flexible drain hose Max. drain flow: 8 US gpm

SPECIFICATIONS

Capacity	Racks per hr.	21
Motor Horsepower	Wash	1
Water Consumption	Per hr. (max. use)	38.4 US gal;
	Per rack	1.8 US gal;
Temperatures °F	Wash (minimum)	150
	Rinse (minimum)	180
Heating	Tank heat, electric (kW)	1.2
	Electric booster	
	(kW required for 40°F rise)	6
	(kW required for 70°F rise)	9
Time Cycle in Seconds	Wash	90
	Rinse	25
	Drain/fill	25
	Total	140

201HT with 40°F Rise Booster

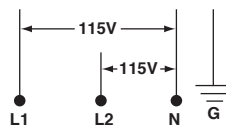
Elec. Specs.	Rated Amps	Minimum Supply Ckt. Conductor Ampacity	Maximum Overcurrent Protective Device
115/208/60/1	36	50	50
115/240/60/1	38	50	50

201HT with 70°F Rise Booster

Elec. Specs.	Rated Amps	Minimum Supply Ckt. Conductor Ampacity	Maximum Overcurrent Protective Device
115/208/60/1	48	60	60
115/240/60/1	51	70	70

	Uncrated	Crated
Height*	33-3/4"	39-1/2"
Width	24"	25"
Depth	25"	25-1/2"
Ship Wt. lbs	178	198

* Front leveling feet provided.



***Note:** Electrical supply service must be a 3-wire plus ground for connection as shown.

Warning: Plumbing and electrical connections should be made by qualified personnel who will observe all the applicable plumbing, sanitary and safety codes.

Due to an ongoing value analysis program at Moyer Diebel, specifications in this catalog are subject to change without notice.