

# 301HT

Undercounter High Temperature Dishwashing Machine with Built-in Booster Heater



301HT UNDERCOUNTER

Project \_\_\_\_\_  
 Item No. \_\_\_\_\_  
 Quantity \_\_\_\_\_

## STANDARD FEATURES

- Stainless steel, upper and lower wash and rinse arms.
- Fresh, final rinse water replenishes wash tank water.
- **Rinse-sentry feature.** Ensures proper 180°F/82°C final rinse temperature.
- **Standard** liquid detergent & rinse-aid dispensing pumps.
- Stainless steel top and side panels.
- Wash tank heater maintains water at required temperature.
- Standard pumped drain, flexible fill and drain lines and standard line strainer for total ease of installation.
- Low .74 US gal. (0.62 imp gal/2.9L) water usage per rack.
- 150 second cycle time. 20 racks per hour capacity.
- 13" [330mm] door opening accommodates cafeteria trays.
- Energy efficient – only 20 or 30 Amp. breaker required for 40°F/22°C rise.
- Complete with two 20" x 20" [508mm x 508mm] racks (one peg and one flat bottom).
- Pressure regulating valve (PRV).
- One year parts and labor warranty.

## SPECIFIER STATEMENT

Specified unit will be Moyer Diebel 301HT undercounter high temperature dishwashing machine with built-in booster.

Features include maximum 13" door opening clearance, standard liquid detergent & rinse-aid dispensing pumps, top and side panels. Unit will have standard pumped drain and rinse-sentry feature to ensure proper 180°F final rinse temperature. Optionally, if required, unit will be supplied in 208-240/60/3 voltage.

1 yr. parts and labor warranty.



## OPTIONS & ACCESSORIES

- 70°F/39°C rise booster
- CST- Combination sink/table Machine on right P/N 403561
- CST- Combination sink/table Machine on left P/N 403562
- Flat bottom dishrack P/N 101273
- Peg dishrack P/N 101285
- 6" Stand P/N 0710809
- 17RS - 17" Stand P/N 0710852
- Three phase machine available

MD033 Printed in U.S.A.

### Moyer Diebel – USA

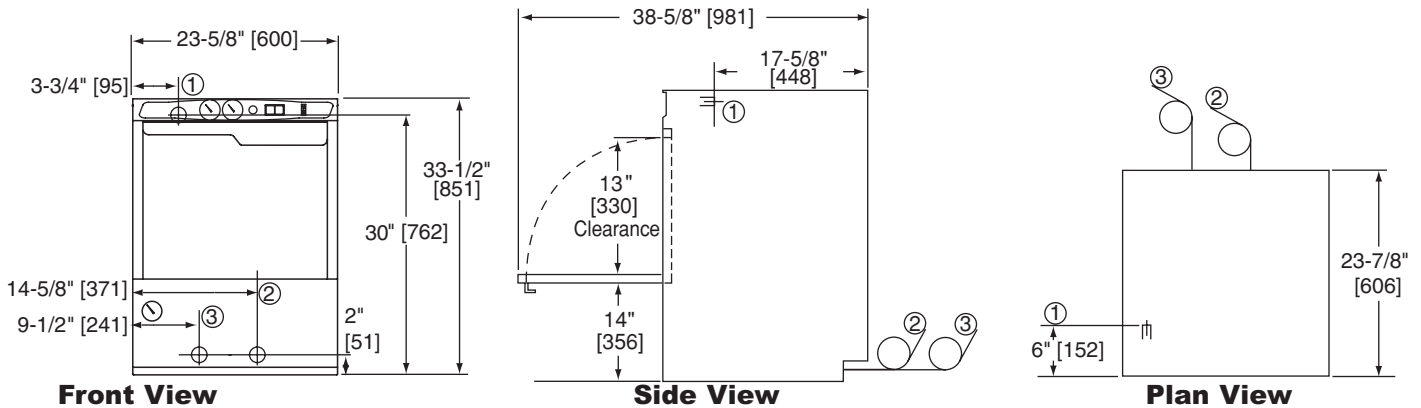
P.O. Box 4183, Winston-Salem, NC 27115 Tel: 336/661-1992 Fax: 336/661-1979 800/228-8350 www.moyerdiebel.com

### Moyer Diebel Ltd. – Canada

2674 North Service Rd., Jordan Station, Ontario, Canada L0R 1S0 Tel: 800/263-5798 Fax: 905/562-4618 sales@moyerdiebellimited.com



Dimensions shown in inches and [millimeters]



## Utilities

- 1 Electrical**  
208-240/60/1 or (optional 3 phase); hard wiring required (see boxes below)
- 2 Hot Water**  
140°F/60°C Min., connection for 40°F/22°C rise booster.  
110°F/43°C Min., connection for 70°F/39°C rise booster.  
6 ft. long 1/2" I.D. flexible fill hose with 3/4" hose connector.  
Flow pressure: 18-22 psi (124-152 kPa), PRV supplied
- 3 Drain Connection**  
6 ft. long, 3/4" I.D. flexible hose.  
Max. drain flow: 8 US gpm; 30 lpm; 7 imp. gpm

## SPECIFICATIONS

<b>Capacity</b>	NSF Racks per hr.	20
<b>Motor Horsepower</b>	Wash	1
<b>Water Consumption</b>	Gal. per hr. (max. use)	
	US gal. (imp. gal./liters)	14.8 (12.3/56)
	Gal. per rack	
	US gal. (imp. gal./liters)	.74 (.62/2.9)
<b>Temperatures °F/C</b>	Wash (minimum)	150/66
	Rinse (minimum)	180/82
<b>Heating</b>	Tank heat, electric (kW)	2
	Electric booster	
	(kW required for 40°F/22°C rise)	4
	(kW required for 70°F/39°C rise)	6
<b>Time Cycle in Seconds</b>	Wash	120
	Rinse	15
	Dwell	15
	Total	150

**Warning:** Plumbing and electrical connections should be made by qualified personnel who will observe all the applicable plumbing, sanitary and safety codes.

301HT with 40°F Rise Electric Booster

Elec. Specs.	Rated Amps	Minimum Supply Circuit Ampacity	Maximum Overcurrent Protective Device
208/60/1	21	30	30
230/60/1	22	30	30
*208/60/3	14	20	20
*230/60/3	15	20	20

301HT with 70°F Rise Electric Booster

Elec. Specs.	Rated Amps	Minimum Supply Circuit Ampacity	Maximum Overcurrent Protective Device
208/60/1	28	40	40
230/60/1	31	40	40
*208/60/3	19	25	25
*230/60/3	20	25	25

\*Optional

	Uncrated	Crated
<b>Height*</b>	33-1/2" [851]	39-1/2" [1003]
<b>Width</b>	23-5/8" [600]	25" [635]
<b>Depth</b>	23-7/8" [606]	25-1/2" [647]
<b>Ship Wt. lbs/kg</b>	148/67	165/75

\* Front leveling feet provided.