

Vent-A-Hood®

## IN STOCK & READY WHEN YOU ARE

### Vent-A-Hood® Standard and Professional Range Hood Liners Available For Immediate Delivery

- The most complete selection available locally at V-A-H Marketing in both Northern and Southern California.
- Ideal for installation with decorative wood, plaster, tile or metal.
- The most respected name in range hoods, backed by 70 years of performance, including powerful, efficient, quiet and fire-safe operation.
- The specification of choice for use with all brands of professional-style cooking equipment.
- Sizes to meet every need, including a new 6-inch height under-cabinet model. Custom sizes available.
- Standard and professional model sizes in wall or island mount are in stock and immediately available.
- Pre-wired and assembled with blowers, lights, switches and canopy.
- Technologically advanced, yet easy to install.
- Choice of stainless steel or painted.
- Filterless Magic Lung® blower system makes maintenance simple.
- Equipped with halogen or fluorescent lighting.
- Backed by Vent-A-Hood's exclusive *Performance Guarantee*, the only 100% smoke and grease extraction guarantee for residential hoods properly specified and installed.



Plaster



Wood



Tile



Northern California  
510.477.6864

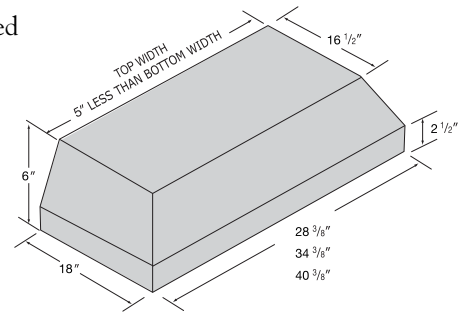
800.836.8246  
[www.vahmarketing.com](http://www.vahmarketing.com)

Southern California  
714.523.1511

## WALL MOUNT LINER INSERTS

### 6" TALL NEW

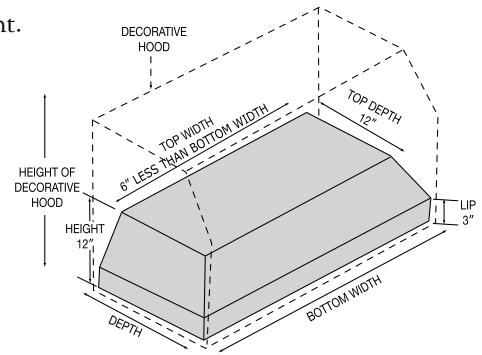
Intended for use with electric cooktops in restricted space areas. Recommended mounting height is 24" – 27" above the cooking surface.



MODEL NO	BLOWERS	BOTTOM WIDTHS	BOTTOM DEPTH	TOP WIDTH	TOP DEPTH
KH28SLD	250 CFM	28-3/8"	18"	5" less than bottom width	16-1/2"
KH34SLD	250 CFM	34-3/8"	18"	5" less than bottom width	16-1/2"
KH40SLD	250 CFM	40-3/8"	18"	5" less than bottom width	16-1/2"

### STANDARD

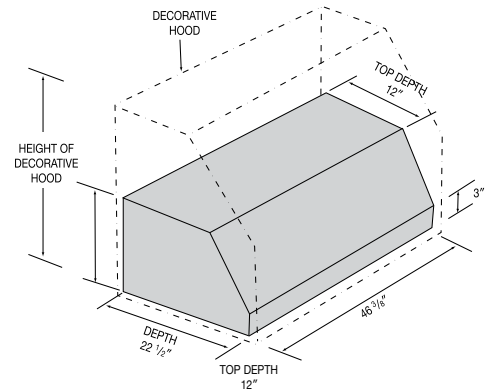
Intended for use over standard cooking equipment. Recommended mounting height is 24" – 27" above the cooking surface.



MODEL NO	BLOWERS	BOTTOM WIDTHS	DEPTH
BHSLD	300 CFM	28-3/8", 34-3/8", and 40-3/8"	19-1/4"
	600 CFM		
BHPSLD	600 CFM	28-3/8", 34-3/8", 40-3/8", 46-3/8", and 52-3/8"	22-1/2"
	900 CFM		
	1200 CFM		

### PROFESSIONAL

Extra size and blower capacity intended for use over professional cooking equipment. Recommended mounting height is 27" – 30" above the cooking surface.



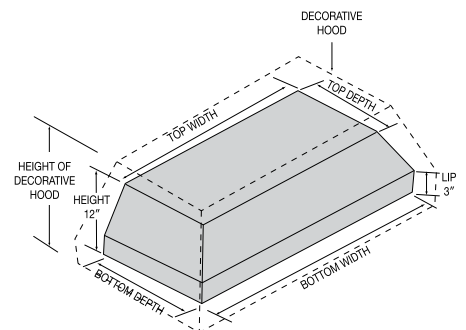
MODEL NO	BLOWER	WIDTH
BHPSLB	1200 CFM	46-3/8"

## ISLAND LINER INSERTS

### STANDARD

Intended for use over standard cooking equipment. Recommended mounting height is 30" above the cooking surface.

MODEL NO	BLOWERS	BOTTOM WIDTHS	BOTTOM DEPTH	TOP WIDTH	TOP DEPTH
THSLE	600 CFM	36", 42" and 48"	27"	12" less than bottom width	15"



### PROFESSIONAL

Greater width and extra blower capacity intended for use over professional cooking equipment. Recommended mounting height is 30" above the cooking surface.

MODEL NO	BLOWERS	BOTTOM WIDTHS	BOTTOM DEPTH	TOP WIDTH	TOP DEPTH
THPSLE	1200 CFM	48", 54", 60" and 66"	30"	16" less than bottom width	22"