



*So Quiet...
You Won't Believe It's On!*

Wall Mount

CH-181 SQB Series

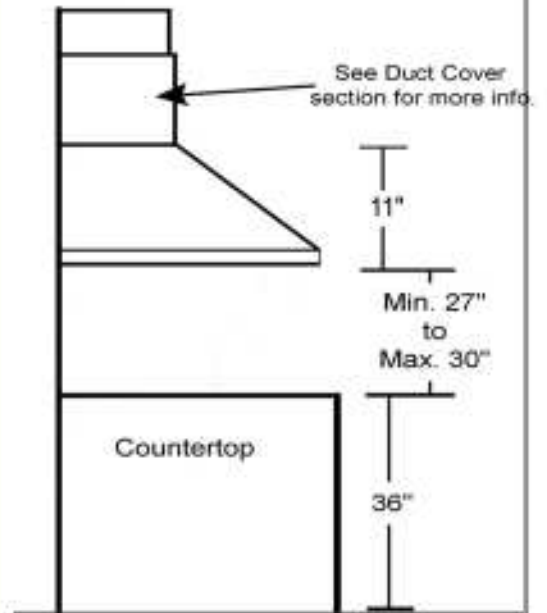
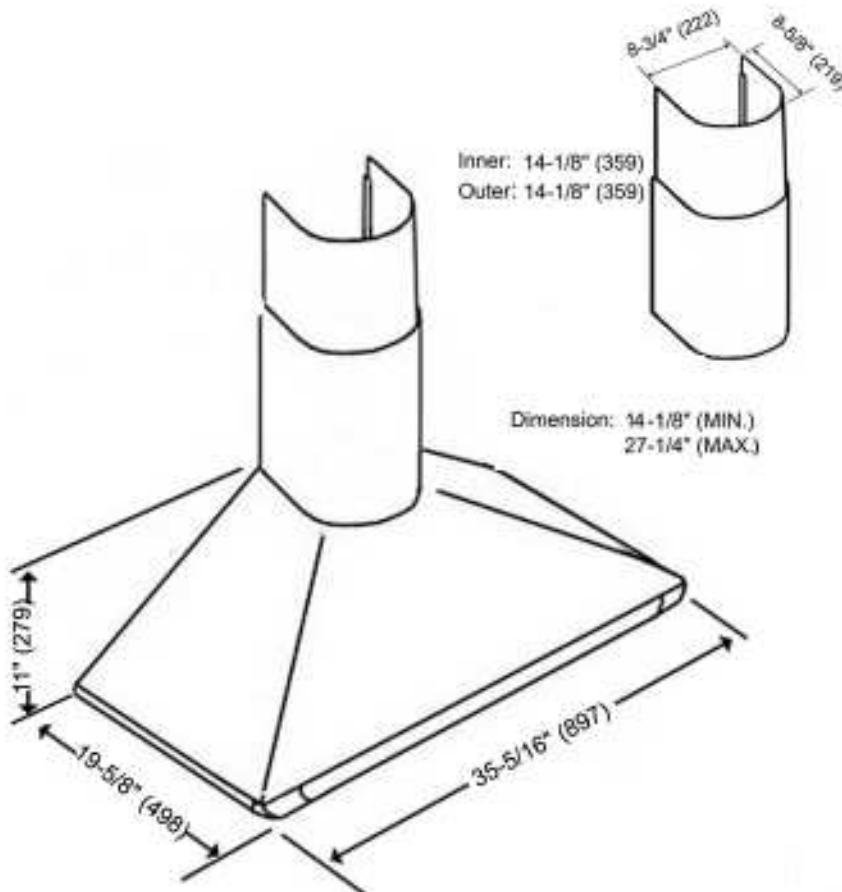


Model No. CH8136SQB (36")

| | |
|-----------------------------|---------------------------------|
| Appearance | |
| Stainless Steel | • |
| Polished Edges | • |
| Performance | |
| CFM | 250 to 600 |
| Sone / Decibel | 1.0 to 4.5 / 40dB to 62dB |
| QuietMode™ | 1.0 Sone / 40dB |
| Features | |
| Halogen Light | 12V 20W x 2 |
| Power Supply / Consumption | 120V 60Hz / 180W 1.5A |
| No. of Speed | 3 (Slide Switch) |
| Fan Type | Double Horizontal Squirrel Cage |
| Ducting Options | Top 6" Round / 7" Round Adapter |
| Filter | Baffle x 2 |
| Optional Accessories | |
| Stainless Steel Back Splash | SSP36 (36" x 32") |

Wall Mount (36")

Duct Cover Included



Information subject to change without notice.

*Building code may vary.