



Horizontal Ice Cream Freezers



The Kelvinator Horizontal Ice Cream Freezer is legendary for quality, performance and reliability and has set the standard in the industry.

Kelvinator horizontal ice cream freezers are designed for trouble free maintenance with the pull out condensing unit. Air flow can be directed in front/out back or in front/out front as the situation requires. The powder coated countertop provides a heavy duty merchandising area and or can serve as a checkout counter. The lighted sign can add hundreds of dollars in incremental impulse purchases.

STANDARD FEATURES:

- Bare Tube Coil condenser prevents dirt buildup
- Thermometer control allows 0° to -20° to meet all low temperature necessities
- Evaporator combines gravity coil and cold wall system to maintain even temperature through the cabinet
- Includes bottom drain, no need for plumbing
- 19" Powder coated countertop allows plenty of room for merchandising profitable impulse items

- Lighted sign to stimulate impulse purchases
- All white styling enhances eye appeal and highlights product.
- Lids hold in open position for shoppers' convenience

OPTIONAL ACCESSORIES:

- Interior Shelf Support Kits
- Lid Locks
- Casters
- Novelty Baskets



KELVINATOR • UNIVERSAL NOLIN • KELVINATOR SCIENTIFIC

563 Corbin Road
Honea Path, SC 29654
800-486-8369
Fax: 864-369-1668
www.kelvinator.us

Project:

Item#:

Approval:

Quantity:

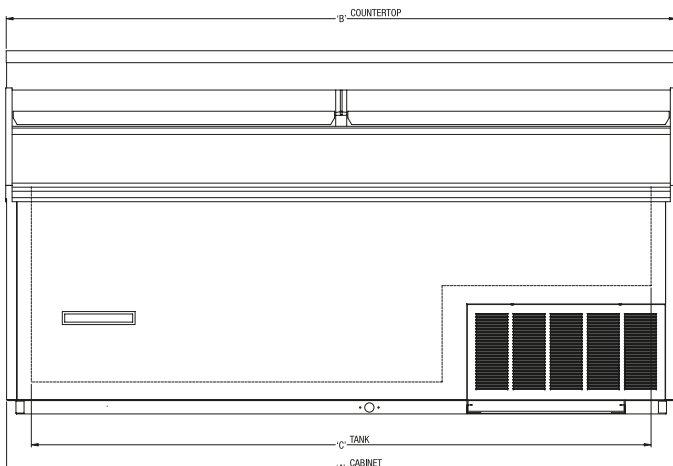
Model Specified:

Horizontal Ice Cream Freezers

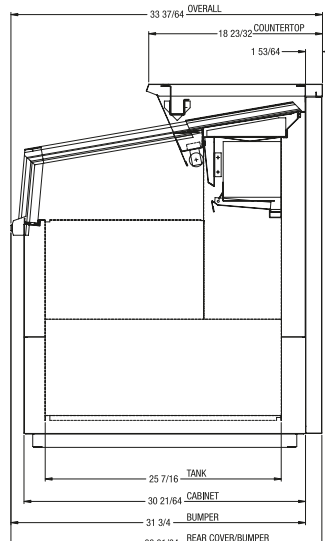
TECHNICAL DATA

MODEL	CMCT 4	CMCT 6	CMCT 8
Temp Range	0°F to -20°F	0°F to -20°F	0°F to -20°F
Exterior Dimensions			
Length	48"	72"	96"
Depth	33 9/16"	33 9/16"	33 9/16"
Height	39"	39"	39"
Insulation	2 1/2" Urethane	2 1/2" Urethane	2 1/2" Urethane
Number of Lids	2	2	3
Lid Construction	3/16" Glass Radiant Heated	3/16" Glass Radiant Heated	3/16" Glass Radiant Heated
Capacity	11 cu.ft.	19 cu.ft.	27 cu.ft.
Capacity (1/2 gals.)	120	225	322
Novelty Baskets Load Level	8	12	16
Capacity Novelty Baskets Total	16	24	36
Shipping Weight	486 lbs	624 lbs	780 lbs
Compressor Size	1/2 HP	1/2 HP	3/4 HP
Condenser Type	Bare Tube Forced Air	Bare Tube Forced Air	Bare Tube Forced Air
Evaporator Type	Fin & Tube Gravity Coil & Cold Wall	Fin & Tube Gravity Coil & Cold Wall	Fin & Tube Gravity & Cold Wall
Refrigerant	R-404A	R-404A	R-404A
Refrigerant Control	Capillary	Capillary	Capillary
Defrost System	Electric	Electric	Electric
Rated Amps	11.0	12.0	12.0
Electrical	115/60/1	115/60/1	115/60/1
Power Cord	15 Amp Cord with 5-15 NEMA Plug	15 Amp Cord with 5-15 NEMA Plug	15 Amp Cord with 5-15 NEMA Plug
Counter Construction	Powder Coated/ 19" Width	Powder Coated/ 19" Width	Powder Coated/ 19" Width
Interior Finish	High Quality Powder Coat Finish on Galvanized Steel		
Exterior Finish	High Quality Powder Coat Finish		
Lighted Sign	Standard	Standard	Standard

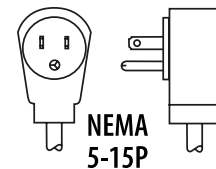
MODEL	'A'	'B'	'C'
CMCT 4	48	48 5/32	42 3/4
CMCT 6	72	72 5/32	66 3/4
CMCT 8	96	96 5/32	90 3/4



SIDE VIEW



ELECTRICAL CONNECTION



SPECIFICATIONS

Item: CMCT _____.

Furnish () quantity. Horizontal Ice Cream Freezer, Kelvinator model _____. The unit construction shall consist of a 20 ga. white powder coat finished galvanized steel interior and exterior, foamed in place.

Cabinet as specified to use R-404a refrigerant. Refrigeration control shall be thermostatic control with a temperature range of 0°F to -20°F.

National Refrigeration Company reserves the right to change specifications, terms, and prices without notice.



KELVINATOR • UNIVERSAL NOLIN • KELVINATOR SCIENTIFIC
563 Corbin Road • Honea Path, SC 29654
800-486-8369 • Fax 864-369-1668 • www.kelvinator.us