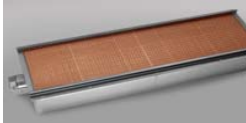
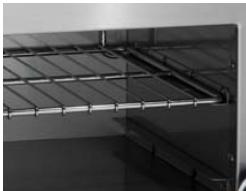


Model Numbers

ICMA-24 ICMA-36
ICMA-48 ICMA-60
ICMA-72 ICMA-84



Infra-red burner provides instant, even heating.



Chrome plated heavy duty rack.



Durable cast aluminum control knobs with a heat protection, vylox grip.



ICMA-36 shown

INFRA-RED BURNERS - Provides instant even heat.

- 20,000 BTU (6 KW) ICMA-24 model.
- 35,000 BTU (10 KW) ICMA-36 model.
- 40,000 BTU (12 KW) ICMA-48 model.
- 55,000 BTU (16 KW) ICMA-60 model.
- 70,000 BTU (21 KW) ICMA-72 model.
- 80,000 BTU (23 KW) ICMA-84 model.
- Protective screen over infra-red burner for splatter protection.
- Individual left / right gas controls (except on ICMA-24) model.
- Adjustable gas valve.
- Continuous pilot for instant ignition.

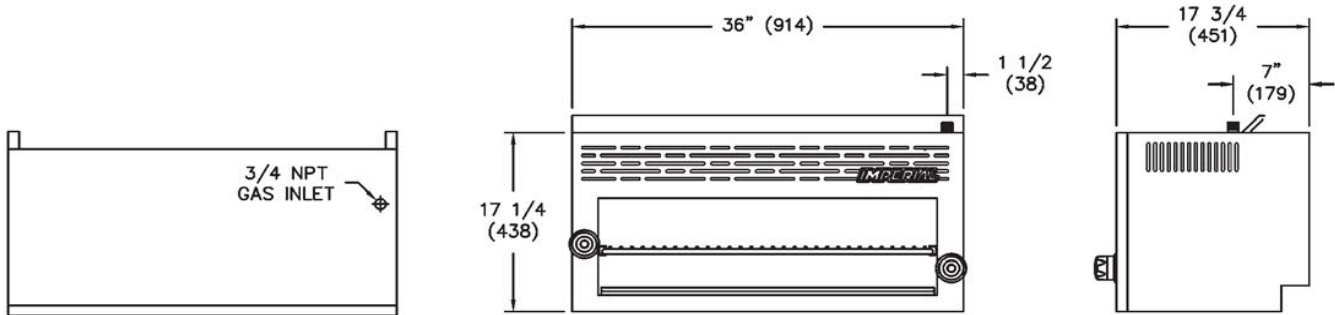
BROILER GRID - Chrome plated heavy duty rack.

- Loads and unloads easily.
- Full width, large capacity for high production in peak hours.
- Rack easily lifts out for cleaning.

EXTERIOR FEATURES - Stainless steel front, sides, top and bottom.

- Mounts over IR and IHR ranges, with mounting accessory.
- Can be wall or counter mounted.
- Welded and polished stainless steel seams.
- Control knobs are durable cast aluminum with a vylox heat protection grip.
- Available in 24", 36", 48", 60", 72" and 84" (610, 914, 1219, 1524, 1829, 2134 mm) widths.
- One year parts and labor warranty.





ICMA-36

RANGE MATCH CHEESEMELTER BROILERS

| MODEL | WIDTH INCHES (MM) | TOTAL OUTPUT | SHIP WEIGHT (KG) | LBS |
|---------|----------------------|----------------|---------------------|-----|
| ICMA-24 | 24" (610) | 20,000 (6 KW) | (48) | 105 |
| ICMA-36 | 36" (914) | 35,000 (10 KW) | (75) | 162 |
| ICMA-48 | 48" (1219) | 40,000 (12 KW) | (95) | 208 |
| ICMA-60 | 60" (1524) | 55,000 (16 KW) | (125) | 275 |
| ICMA-72 | 72" (1829) | 70,000 (21 KW) | (152) | 335 |
| ICMA-84 | 84" (2134) | 80,000 (23 KW) | (184) | 405 |

Measurements in () are metric equivalents.

| MODEL | DIMENSIONS | CRATED DIMENSIONS |
|---------|--|--|
| ICMA-24 | 24" w x 17-3/4" d x 17-1/4" h (610 x 451 x 438 mm) | 26" w x 20" d x 21" h (660 x 508 x 533 mm) |
| ICMA-36 | 36" w x 17-3/4" d x 17-1/4" h (914 x 451 x 438 mm) | 38" w x 20" d x 21" h (965 x 508 x 533 mm) |
| ICMA-48 | 48" w x 17-3/4" d x 17-1/4" h (1219 x 451 x 438 mm) | 50" w x 20" d x 21" h (1270 x 508 x 533 mm) |
| ICMA-60 | 60" w x 17-3/4" d x 17-1/4" h (1524 x 451 x 438 mm) | 62" w x 20" d x 21" h (1575 x 508 x 533 mm) |
| ICMA-72 | 72" w x 17-3/4" d x 17-1/4" h (1829 x 451 x 438 mm) | 74" w x 20" d x 21" h (1880 x 508 x 533 mm) |
| ICMA-84 | 84" w x 17-3/4" d x 17-1/4" h (2134 x 451 x 438 mm) | 86" w x 20" d x 21" h (2184 x 508 x 533 mm) |

| MANIFOLD PRESSURE NATURAL GAS | MANIFOLD PRESSURE PROPANE GAS | MANIFOLD SIZE |
|----------------------------------|----------------------------------|------------------|
| 5.0" W.C. | 10.0" W.C. | 3/4" |

Specify elevation, if over 2,000 ft.

CLEARANCE REQUIREMENTS
For use only on non-combustible surfaces. Legs are required for counter top installation. Provide 0" clearance from non-combustible surfaces and 4" (102 mm) from combustible surfaces.

- OPTIONS AND ACCESSORIES**
- Wall mounting kits
 - 4" (102 mm) leg kit for counter mounting
 - Reinforcement channels for range mount
 - One point 3/4" (19 mm) gas connection from ICMA to IR or IHR range
 - Gas shut off valve, 3/4" N.P.T.
 - Quick disconnect and flexible gas hose, 3/4" N.P.T.

