

*Frigidaire*

Factory Parts Catalog

Product No.	FRT18S6JB5	FRT18S6JK5	FRT18S6JM5	FRT18S6JQ5	FRT18S6JS5	FRT18S6JW5
Series	R134a	R134a	R134a	R134a	R134a	R134a
Color	black	stainless (LH)	silver mist	bisque	stainless (RH)	white
Volts	115	115	115	115	115	115
Wiring Diagram	241582401	241582401	241582401	241582401	241582401	241582401
Owner's Guide	241857201	241857201	241857201	241857201	241857201	241857201
Market	North America	North America	North America	North America	North America	North America
Energy Guide	241613776	241613776	241613776	241613776	241613776	241613776
Service Data Sheet	241588203	241588203	241588203	241588203	241588203	241588203
Installation Instructions	240568303	240568303	240568303	240568303	240568303	240568303

 **Electrolux**

Electrolux Major Appliances  
 North & Latin America  
 P.O. BOX 212378  
 AUGUSTA, GA 30917

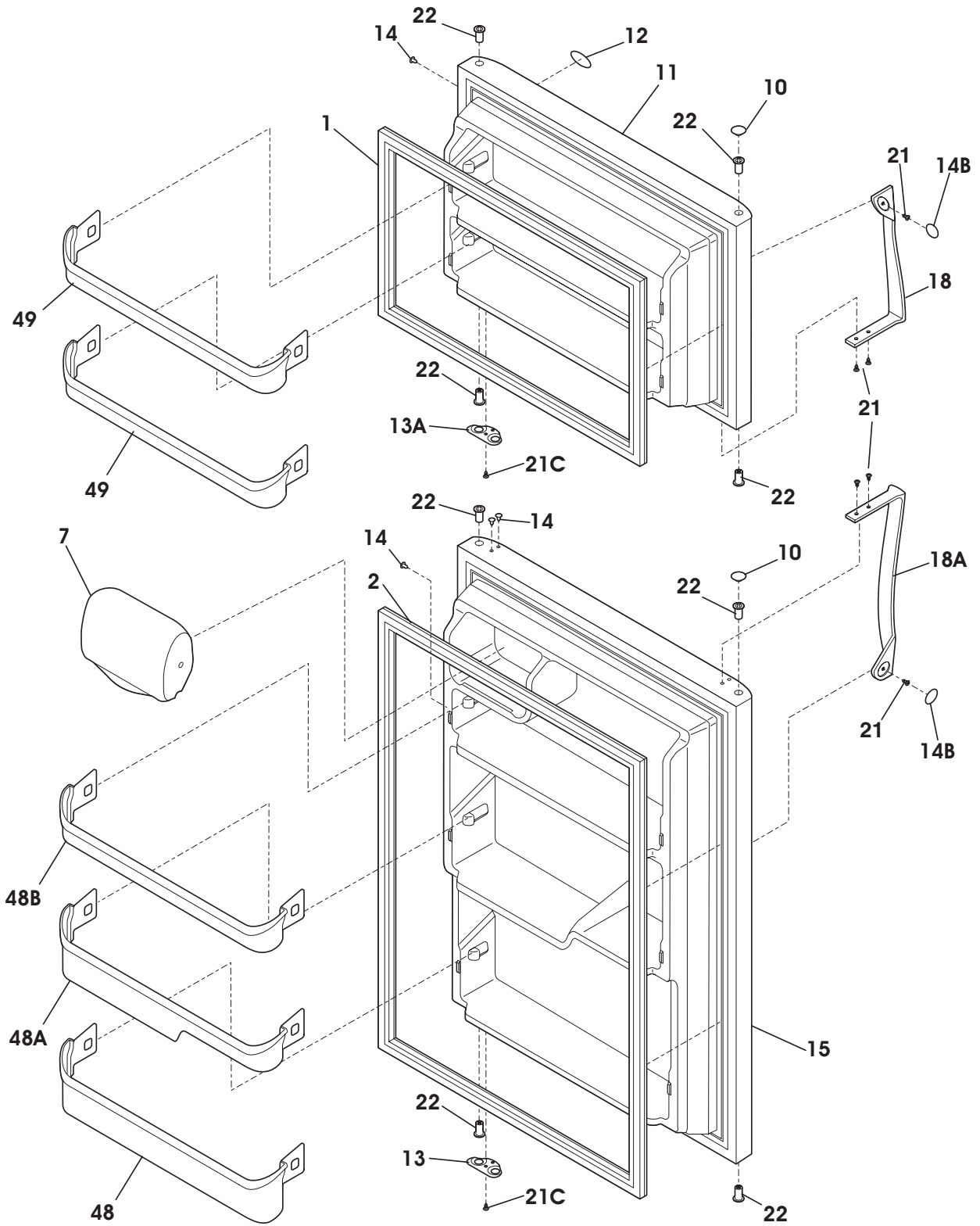
Publication No.  
**5995536595**  
 09/03/27  
 (EN/SERVICE/KHB)  
 390

**TOP-MOUNT  
 REFRIGERATOR**

**Model No.  
 FRT18S6J**

Copyright © 2009 Electrolux Home Products, Inc.  
 All rights reserved.

**DOOR**



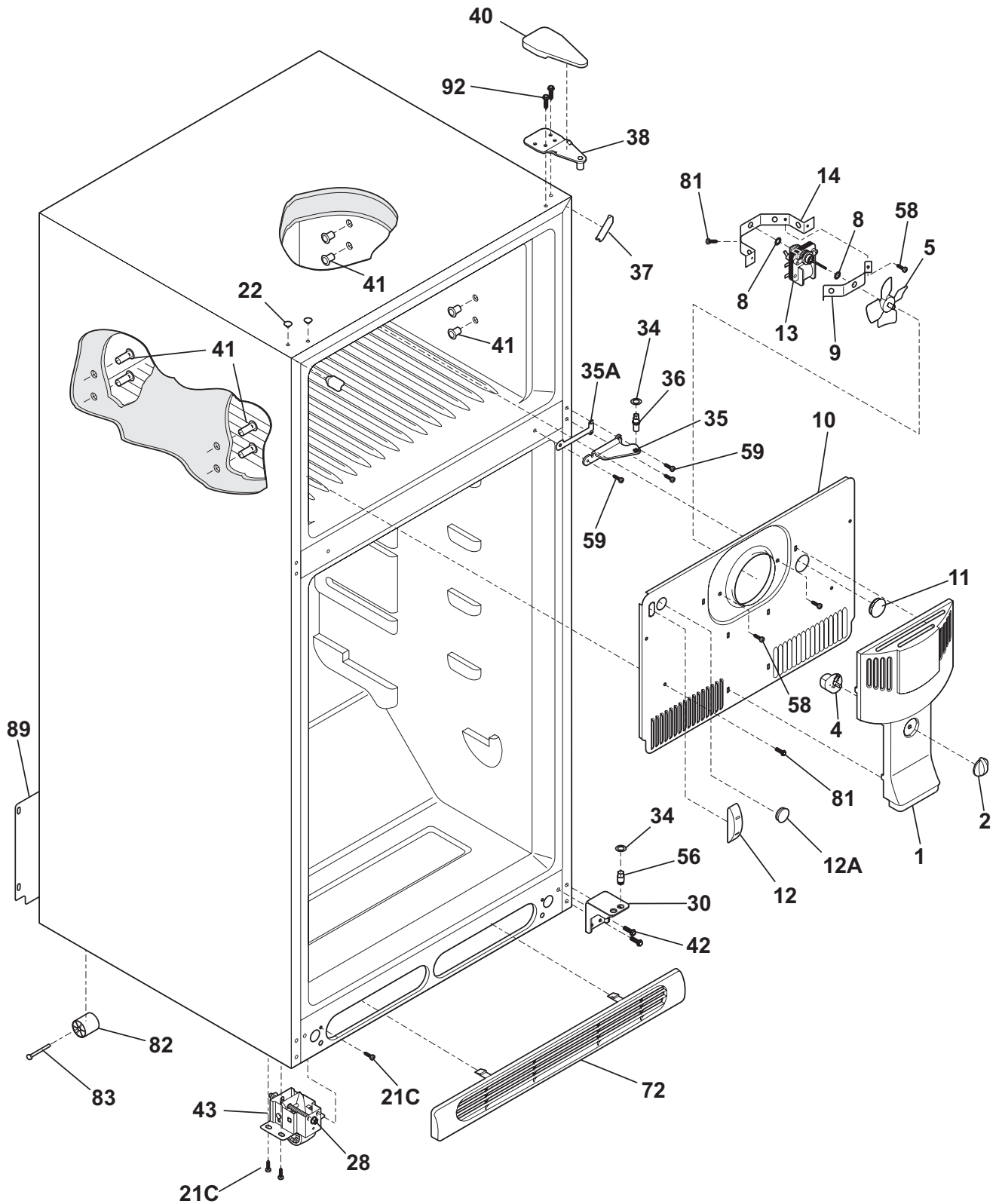
**N05DCBCA1**

**DOOR**

*Model Index:* A FRT18S6J (FRT18S6JB5)  
 B FRT18S6J (FRT18S6JK5)  
 C FRT18S6J (FRT18S6JM5)  
 D FRT18S6J (FRT18S6JQ5)  
 E FRT18S6J (FRT18S6JS5)  
 F FRT18S6J (FRT18S6JW5)

POS. NO	PART NO.		DESCRIPTION
1	241872509	A B C - E -	Gasket-frzr door, black, magnetic
1	241872503	- - - D - F	Gasket-frzr door, white, magnetic
2	241872512	A B C - E -	Gasket-refr door, black, magnetic
2	241872506	- - - D - F	Gasket-refr door, white, magnetic
7	240337712	A B C D E F	Door-dairy
10	240381303	A - - - - -	Plug-button, black, hinge brg hole
10	240381306	- - C - - -	Plug-button, silver mist, hinge brg hole
10	240381302	- - - D - -	Plug-button, bisque, hinge brg hole, (2)
10	240381301	- - - - - F	Plug-button, white, hinge brg hole, (2)
11	240409919	A - - - - -	Door, frzr, black
11	241623306	- B - - - -	Door-frzr, stainless, LH, complete assy
11	240409920	- - C - - -	Door-frzr, silver mist, complete assy
11	240409902	- - - D - -	Door-frzr, bisque, complete assy
11	241623305	- - - - E -	Door, frzr, stainless, RH, complete assy
11	240409901	- - - - - F	Door-frzr, white, complete assy
12	241808601	A B C D E F	Label-nameplate
13	240312405	A B C - E -	Door Stop, black, refr
13	240312407	- - - D - -	Door Stop, bisque, ref
13	240312403	- - - - - F	Door Stop, white, ref
13A	240312406	A B C - E -	Door Stop, black, frzr
13A	240312408	- - - D - -	Door Stop, bisque, frzr
13A	240312404	- - - - - F	Door Stop, white, frzr
14	240494003	A - - - - -	Plug-button, black
14	240494006	- - C - - -	Plug-button, silver mist
14	240494002	- - - D - -	Plug-button, bisque
14	240494001	- - - - - F	Plug-button, white
14B	240383603	A B C - E -	Plug-button, black, door handle
14B	240383602	- - - D - -	Plug-button, bisque, door handle
14B	240383601	- - - - - F	Plug-button, white, door handle
15	240410125	A - - - - -	Door, refr, black
15	241623423	- B - - - -	Door, refr, stainless steel, LH
15	240410133	- - C - - -	Door-refr, silver mist, complete assy
15	240410002	- - - D - -	Door-refr, bisque, complete assy
15	241623422	- - - - E -	Door, refr, stainless steel, RH
15	240410001	- - - - - F	Door-refr, white, complete assy
18	240339203	A B C - E -	Handle-door, black, refr-LH/frzr-RH
18	240339204	- - - D - -	Handle-door, bisque, refr-LH/frzr-RH
18	240339201	- - - - - F	Handle-door, white, refr-LH/frzr-RH
18A	240339208	A B C - E -	Handle-door, black, refr-RH/frzr-LH
18A	240339209	- - - D - -	Handle-door, bisque, refr-RH/frzr-LH
18A	240339206	- - - - - F	Handle-door, white, refr-RH/frzr-LH
21	240383406	A B C D E F	Screw, truss hd quad, #10-16 x .500, zinc
21C	218252201	A B C D E F	Screw, #8 truss hd, 10-32CA x 0.500
22	240527102	A B C - E -	Bearing-hinge, black
22	240527101	- - - D - F	Bearing-hinge, natural color
48	240338101	A B C D E F	Bin-door, pseudo, bottom
48A	240337901	A B C D E F	Bin-door, refr
48B	240338001	A B C D E F	Bin-door, pseudo, gallon, refr
49	240495804	A B C D E F	Bin-door, pseudo, frzr

CABINET



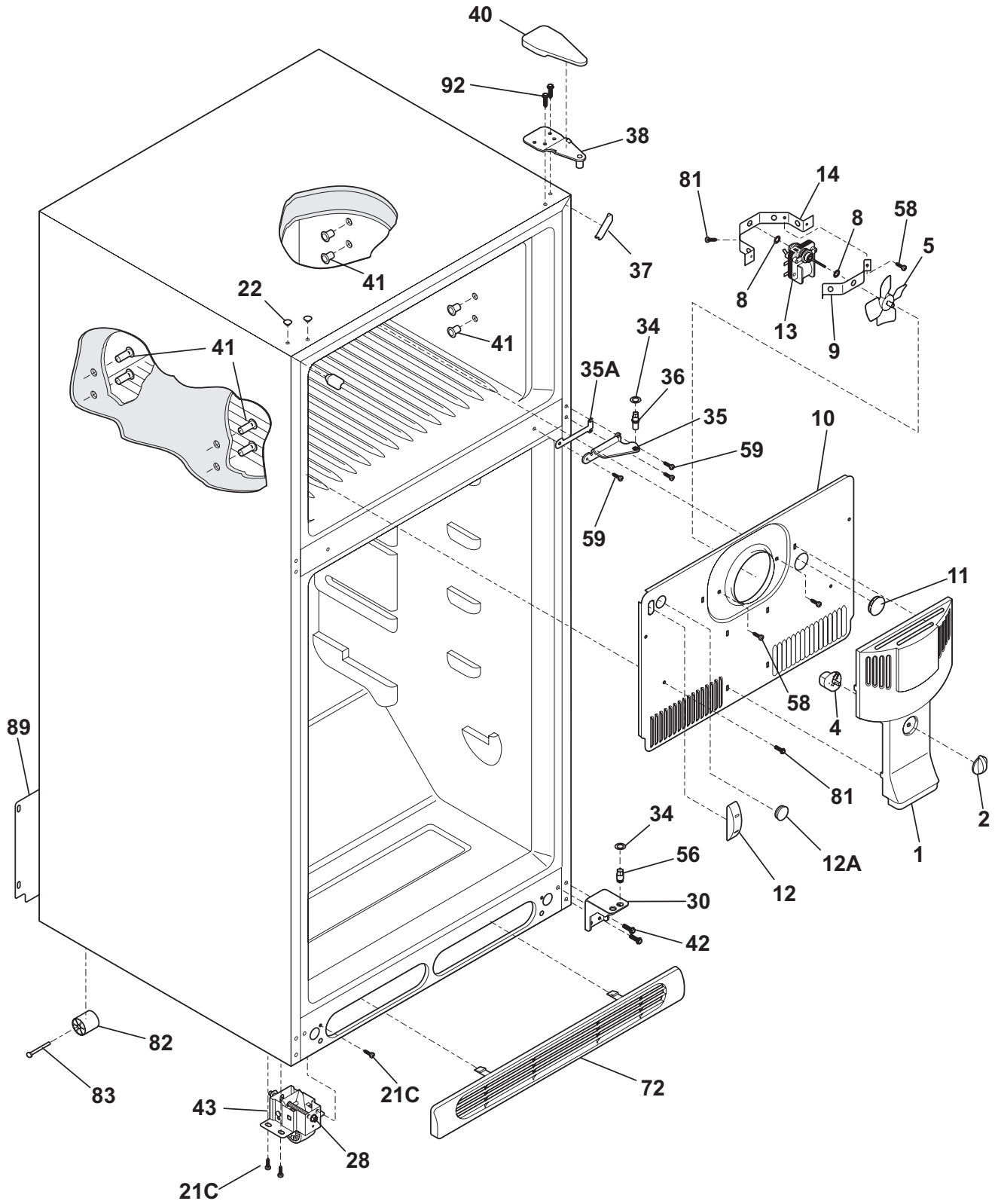
N05BBAABA33

**CABINET**

Model Index: A FRT18S6J (FRT18S6JB5)  
 B FRT18S6J (FRT18S6JK5)  
 C FRT18S6J (FRT18S6JM5)  
 D FRT18S6J (FRT18S6JQ5)  
 E FRT18S6J (FRT18S6JS5)  
 F FRT18S6J (FRT18S6JW5)

POS. NO	PART NO.	A	B	C	D	E	F	DESCRIPTION
1	241652301	A	B	C	D	E	F	Cover-fan
2	240367001	A	B	C	D	E	F	Knob-damper control
4	241523701	A	B	C	D	E	F	Damper-fan cover
5 #	5308000010	A	B	C	D	E	F	Fan Blade, red, evaporator fan
8	5300157666	A	B	C	D	E	F	Bushing-motor mtg, (2)
9	5303292396	A	B	C	D	E	F	Bracket-motor mtg, front
10	241652214	A	B	C	D	E	F	Cover-evap coil
10*	240568601	A	B	C	D	E	F	Seal-coil cover
10*	241520701	A	B	C	D	E	F	Harness-wiring, freezer
11	5303208309	A	B	C	D	E	F	Plug-hole, factory test
12	241557601	A	B	C	D	E	F	Plug-ice maker harness, rectangular
12A	240374401	A	B	C	D	E	F	Plug-wtr inlet tube, round, 1"
12A*	241586701	A	B	C	D	E	F	Plug-foam-wtr-inlet, round
13 #	241854301	A	B	C	D	E	F	Motor-fan
13*	215474201	A	B	C	D	E	F	Washer, "slinger", nylon, evap fan shaft
13*	218931001	A	B	C	D	E	F	Clamp-motor wiring, nylon, w/adhesive tape
14	5303292397	A	B	C	D	E	F	Bracket-motor mtg, rear
14*	240433204	A	B	C	D	E	F	Screw, hex washer head, 8-18 x 5/16
21C	218252201	A	B	C	D	E	F	Screw, #8 truss hd, 10-32CA x 0.500
22	215774918	A	B	C	-	E	-	Plug-button, black, upr hinge holes
22	215774919	-	-	-	D	-	-	Plug-button, bisque, upr hinge holes
22	215774901	-	-	-	-	-	F	Plug-button, white, upr hinge holes
28	240335502	A	B	C	D	E	F	Bolt-roller adj, hex washer head, 1/4-20 x 4.020, (2), special
30	240314003	A	B	C	-	E	-	Bracket-lower hinge, black
30	240314011	-	-	-	D	-	F	Bracket-lower hinge, zinc
34	240311303	A	B	C	D	E	F	Washer, hinge, nylon, (2)
35	240313803	A	B	C	-	E	-	Bracket-ctr hinge, black
35	240313806	-	-	-	D	-	F	Bracket-ctr hinge, zinc
35A	240336803	A	B	C	-	E	-	Spacer-hinge, center, black
35A	240336802	-	-	-	D	-	F	Spacer-hinge, center
36	240516402	A	B	C	D	E	F	Pin-center hinge
37	241611303	A	B	C	-	E	-	Trim-cabinet corner, black, (2)
37	241611304	-	-	-	D	-	-	Trim-cabinet corner, bisque, (2)
37	241611301	-	-	-	-	-	F	Trim-cabinet corner, white, (2)
38	240313701	A	B	C	D	E	F	Bracket-upper hinge
40	240354404	A	B	C	-	E	-	Cover-upper hinge, black
40	240354403	-	-	-	D	-	-	Cover-upper hinge, bisque
40	240354401	-	-	-	-	-	F	Cover-upper hinge, white
41	5308009759	A	B	C	D	E	F	Grommet, shelf mtg, 1.25", LH, (4)
42	240578902	A	B	C	D	E	F	Screw, hex head, 1/4-20 x 5/8
43	240335005	A	B	C	D	E	F	Roller Assy, adjustable, front, (2)
56	240516502	A	B	C	D	E	F	Pin-lower hinge
58	5304456287	A	B	C	D	E	F	Screw, hex washer head, 8-15A x 0.500
59	240442707	A	B	C	-	E	-	Screw-#10-32 X 3/4, black
59	240442706	-	-	-	D	-	F	Screw-#10-32 X 3/4, zinc

CABINET



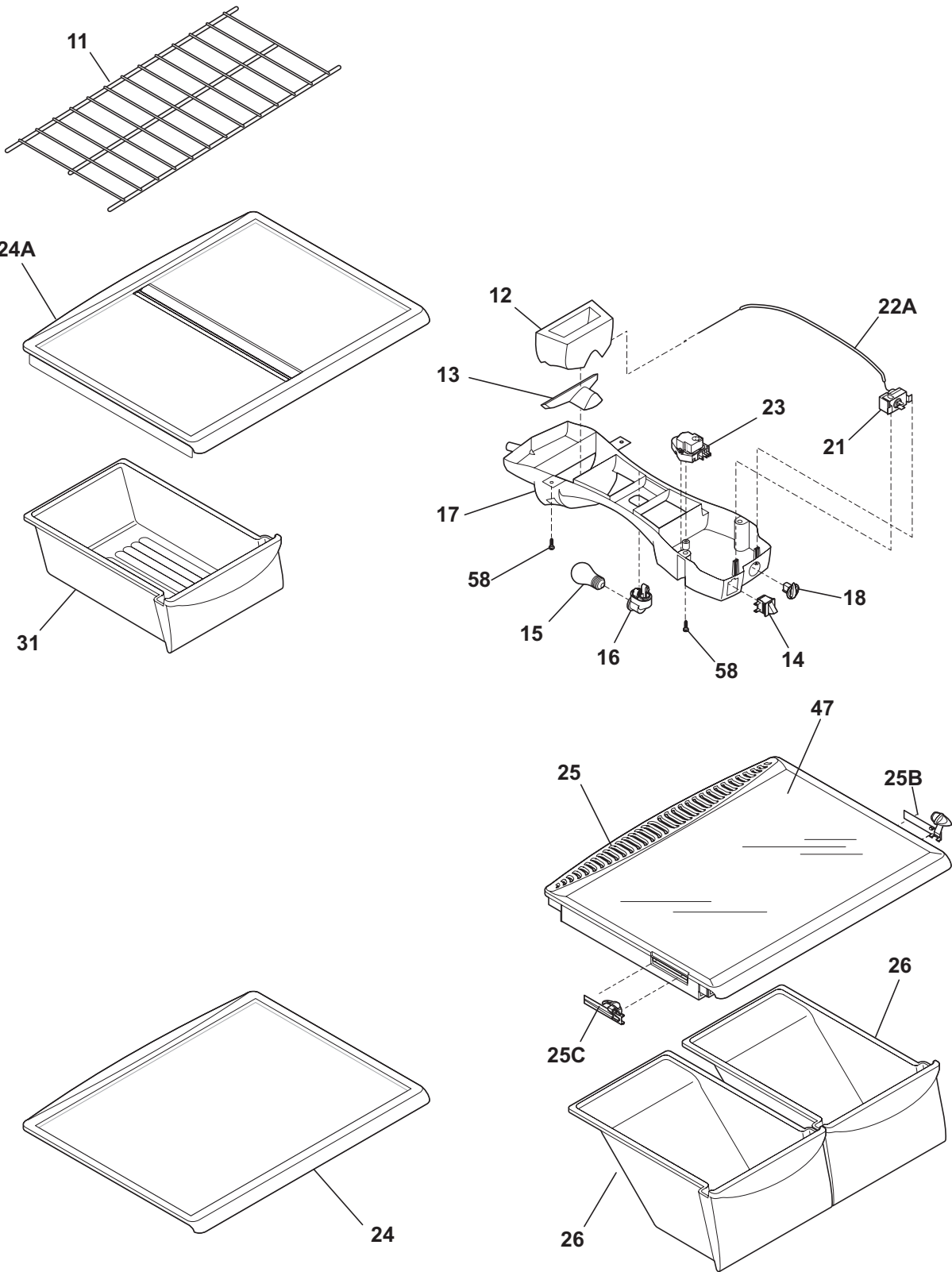
N05BBAABA33

**CABINET**

*Model Index:*    **A** FRT18S6J (FRT18S6JB5)  
                           **B** FRT18S6J (FRT18S6JK5)  
                           **C** FRT18S6J (FRT18S6JM5)  
                           **D** FRT18S6J (FRT18S6JQ5)  
                           **E** FRT18S6J (FRT18S6JS5)  
                           **F** FRT18S6J (FRT18S6JW5)

POS. NO	PART NO.		DESCRIPTION
72	241839407	A B C - E -	Grille/Kickplate, black
72	241839406	- - - D - -	Grille/Kickplate, bisque
72	241839405	- - - - - F	Grille/Kickplate, white
81	5304455650	A B C D E F	Screw, hex washer head, 8-15A x 0.625, low profile
82	5304418225	A B C D E F	Roller, compressor base, rear, (2)
83	5304455655	A B C D E F	Rivet, flat head, 1/4 OD x 1-3/4, roller pin
89	241733907	A B C D E F	Cover-access, with label
89*	241500304	A B C D E F	Screw, hex washer head, 8-18AB x 0.625
92	241710601	A B C D E F	Screw, hex washer hd, 1/4 x 7/8, hinge mtg
*	240479601	A B C D E F	Plug, button, cab liner holes
*	5303321321	A B C - E -	Paint, touch-up, black
*	5304414035	- - - D - -	Paint, touch-up, bisque
*	5303321319	- - - - - F	Paint, touch-up, white

**SHELVES**



**N05SAAAFI21**

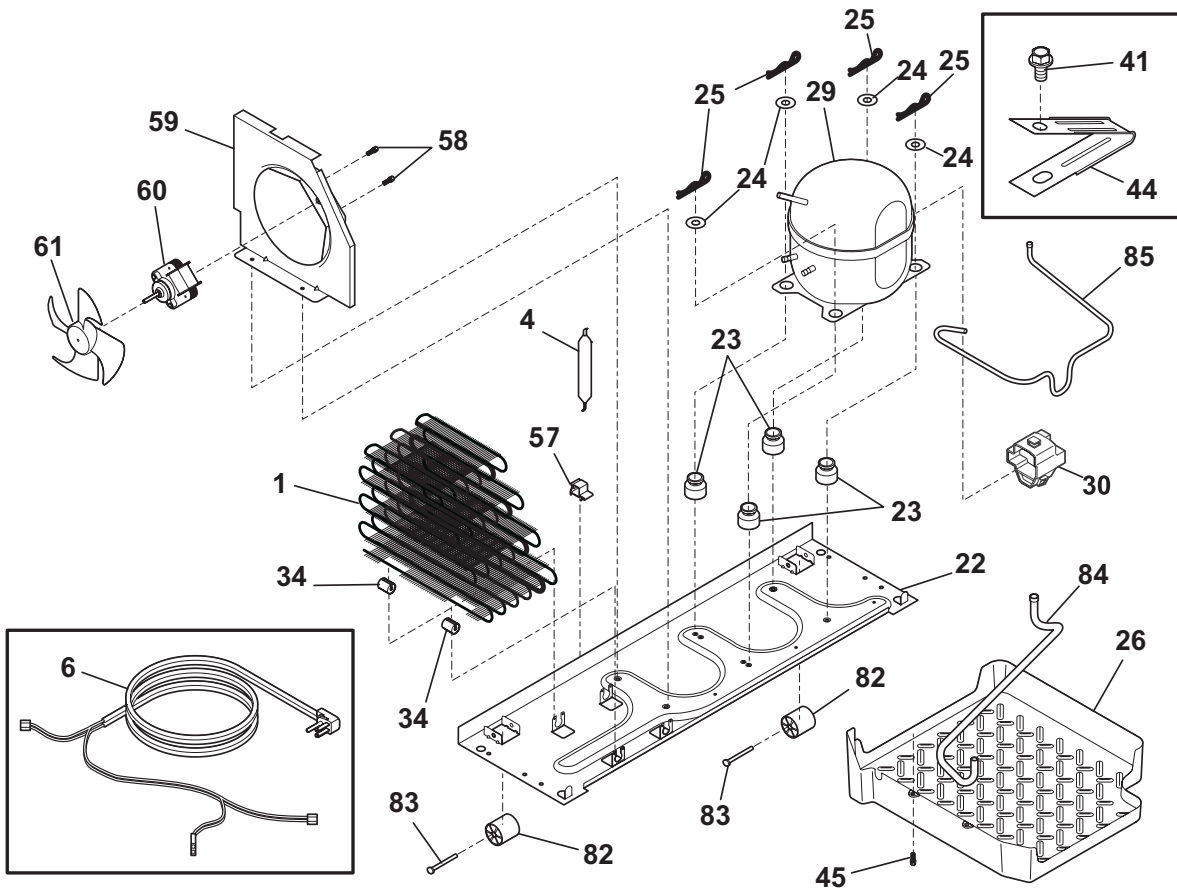
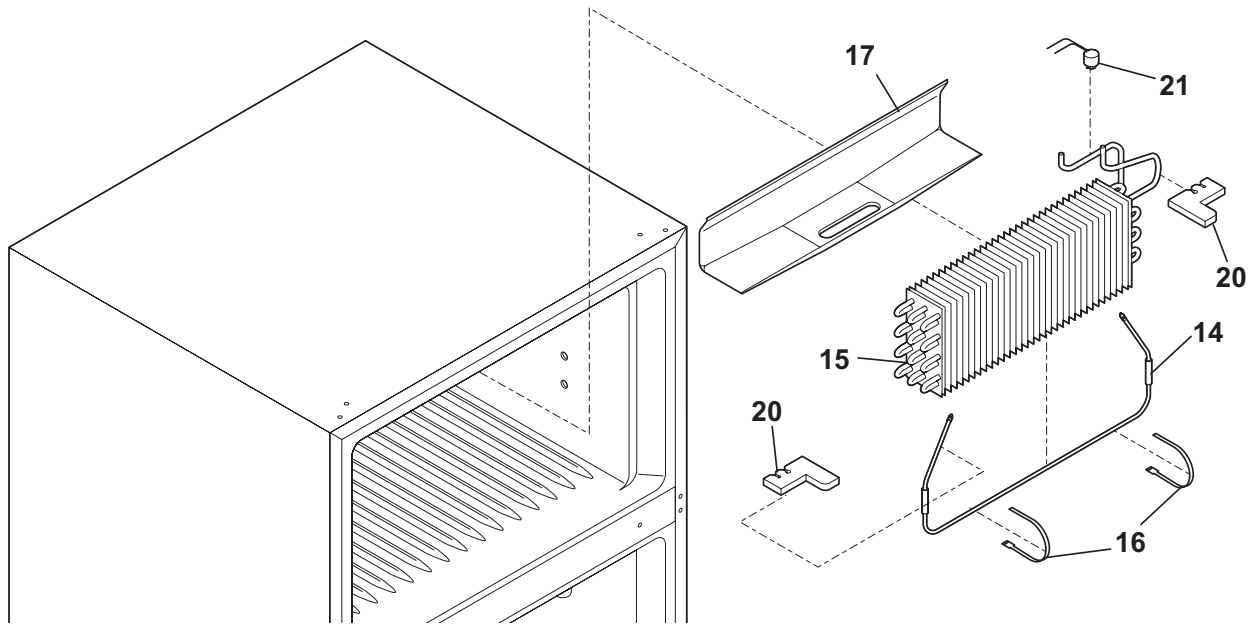


**SHELVES**

*Model Index:* A FRT18S6J (FRT18S6JB5)  
 B FRT18S6J (FRT18S6JK5)  
 C FRT18S6J (FRT18S6JM5)  
 D FRT18S6J (FRT18S6JQ5)  
 E FRT18S6J (FRT18S6JS5)  
 F FRT18S6J (FRT18S6JW5)

POS. NO	PART NO.		DESCRIPTION
11	240358005	A B C D E F	Shelf, freezer, full-width, wire
12	241542001	A B C D E F	Diffuser, air, top
13	240362601	A B C D E F	Diffuser, air, bottom
14 #	241554901	A B C D E F	Switch-light/lamp
15	241555401	A B C D E F	Light Bulb
16	241559801	A B C D E F	Socket-light
17	240352702	A B C D E F	Control Box
17*	240568607	A B C D E F	Seal
17*#	240388701	A B C D E F	Wiring Harness, control box
18	240360801	A B C D E F	Knob, temp control
21 #	5304421256	A B C D E F	Control, temperature
22A	240468201	A B C D E F	Tube, sensor sleeve, 31 inch, plastic, white
23 #	241621501	A B C D E F	Timer-defrost
23*	5304455649	A B C D E F	Screw, pan hd, 6-20 x 0.438
24	240358905	A B C D E F	Shelf-"Spill-Safe", sliding
24A	240358906	A B C D E F	Shelf-"Spill-Safe", sliding, w/pan hanger
25	240364714	A B C D E F	Cover-crisper pan
25B	241613501	A B C D E F	Control-humidity, RH
25C	241613502	A B C D E F	Control-humidity, LH
26	240337103	A B C D E F	Pan-crisper, clear, (2), no graphics
31	240530811	A B C D E F	Pan-meat, w/o graphics, clear
47	241711219	A B C D E F	Insert-pan cover, glass
58	5304455650	A B C D E F	Screw, hex washer head, 8-15A x 0.625, low profile
*	241613776	A B C D E F	Label, energy guide

**SYSTEM**



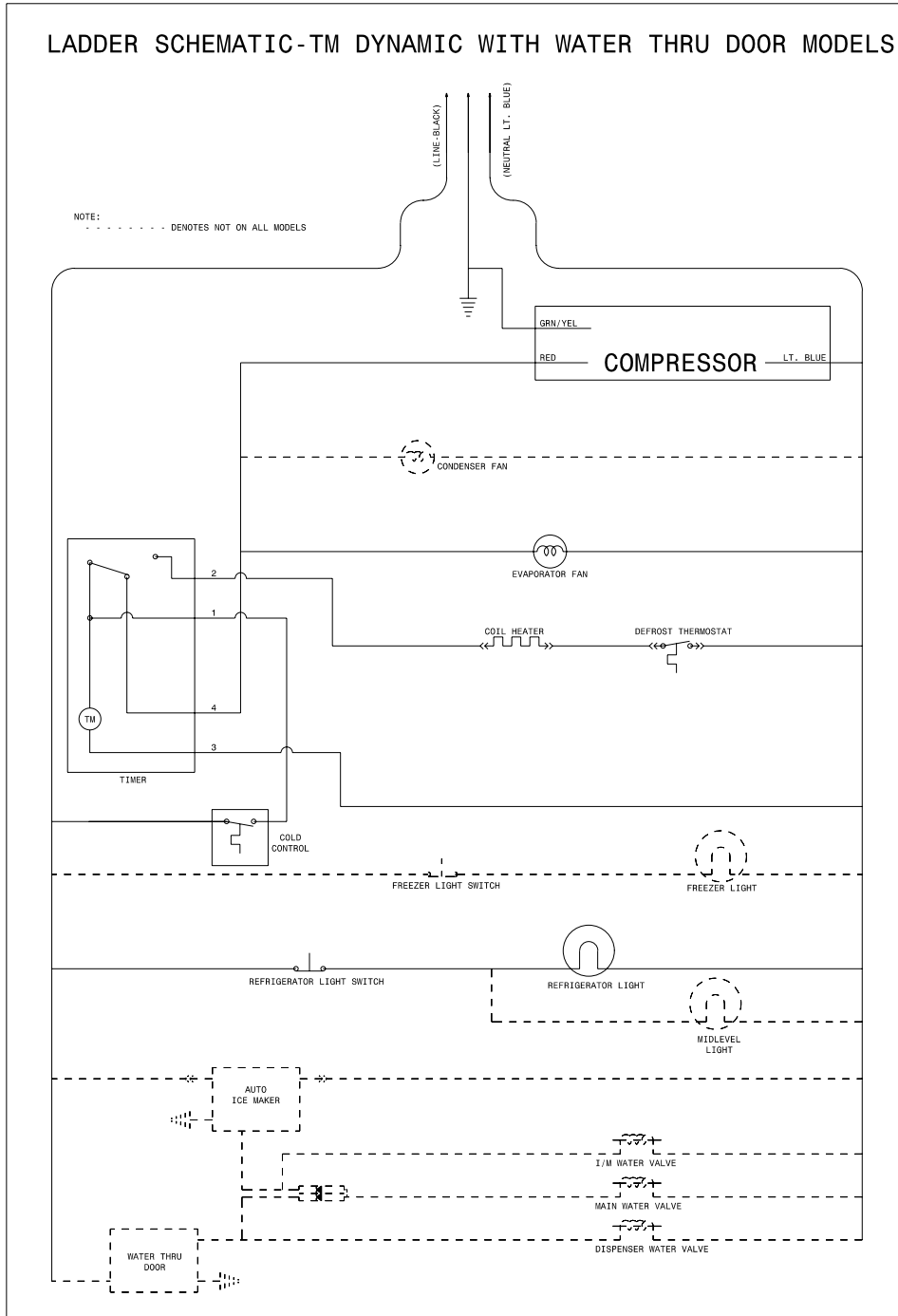
N05CABBAD1

**SYSTEM**

*Model Index:* A FRT18S6J (FRT18S6JB5)  
 B FRT18S6J (FRT18S6JK5)  
 C FRT18S6J (FRT18S6JM5)  
 D FRT18S6J (FRT18S6JQ5)  
 E FRT18S6J (FRT18S6JS5)  
 F FRT18S6J (FRT18S6JW5)

POS. NO	PART NO.		DESCRIPTION
1 #	241873404	A B C D E F	Condenser
4	218944002	A B C D E F	Drier-filter, R134a System
6 #	241607001	A B C D E F	Harness-wiring, machine compt
6*#	240388701	A B C D E F	Wiring Harness, control box
14 #	240356221	A B C D E F	Heater-defrost
15 #	5303918274	A B C D E F	Evaporator Kit
16	5308000110	A B C D E F	Strap-evap/heater, aluminum, (2)
17	241801301	A B C D E F	Trough-drain
20	241551902	A B C D E F	Insulation Block
21 #	5303918202	A B C D E F	Thermostat-defrost, kit
22	241665606	A B C D E F	Base-compressor
22*	218252201	A B C D E F	Screw, #8 truss hd, 10-32CA x 0.500
23	218513300	A B C D E F	Grommet-compr mtg, (4)
24	241812301	A B C D E F	Washer-compr mtg
25	216056401	A B C D E F	Clip-compressor mtg
26	241683601	A B C D E F	Pan-defrost
29#	5303918326	A B C D E F	Compressor, w/electricals
30 #	241667501	A B C D E F	Relay Combo
34	240405201	A B C D E F	Grommet, rubber, black, cond tube/wire
41	240433204	A B C D E F	Screw, hex washer head, 8-18 x 5/16
44	5304456288	A B C D E F	Clamp-wiring harness, strain relief, galv steel
45	241500304	A B C D E F	Screw, hex washer head, 8-18AB x 0.625
57	240542601	A B C D E F	Clip-wiring harness
58	218897002	A B C D E F	Screw, hex washer head, 8-32 x 0.375
59	241935601	A B C D E F	Shroud-cond fan
59*	240346701	A B C D E F	Tape-foam seal, shroud
59*	240359403	A B C D E F	Screw-fan shroud, (2)
60 #	241696605	A B C D E F	Motor-condenser fan
61 #	240524102	A B C D E F	Fan Blade, condenser fan
82	5304418225	A B C D E F	Roller, compressor base, rear, (2)
83	5304455655	A B C D E F	Rivet, flat head, 1/4 OD x 1-3/4, roller pin
84	240500801	A B C D E F	Tube-drain, rubber, lower
85	241879801	A B C D E F	Tube-connector, suction
*	240396801	A B C D E F	Clamp, tube/wiring, nylon, black/natural
*	5303918263	A B C D E F	Heat Exchanger Kit, suction line
*	5303918222	A B C D E F	Hot Tube Repair Kit, service

WIRING SCHEMATIC



# WIRING DIAGRAM

