

Continental



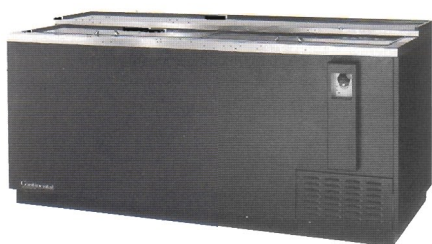
Utilizing Environmentally Safe, CFC-free R-134a Refrigerant



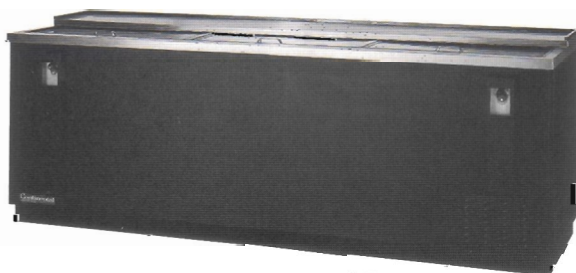
Model CBC37



Model CBC50



Model CBC64



Model CBC95

Refrigerator

HORIZONTAL BOTTLE COOLERS

Standard Features

- Available in 37", 50", 64", 95" Widths
- Modern, State-of-the-Art Styling
- Wear Resistant Black Vinyl Coated Steel Exterior with All Stainless Steel Countertop and Slide Lids for Lifetime Durability
- Heavy Duty, Long Lasting Galvanized Steel Interior
- Performance Rated Refrigeration System Utilizing Environmentally Safe R-134a Refrigerant
- Front, Rear and Side Venting Louvers Allow Greater Condenser Air Flow for Tight Fit Installations
- Easily Accessible and Serviceable Slide-Out Condensing Unit
- Automatic, Energy Saving, Non-Electric Condensate Disposal System with Easily Accessible, Front Mounted Cleanout Drainage Hose And Drain Pan
- High Density, Non-CFC Polyurethane Foamed-In-Place Insulation
- Epoxy Coated, Heavy Duty, Adjustable Steel Wire Storage Bin Dividers to Maximize Storage Space
- Heavy Duty Bottle Cap Opener with Extra Capacity, Removable Cap Catcher
- Extra Long 10' Power Supply Cord and Plug Attached

Optional Features & Accessories

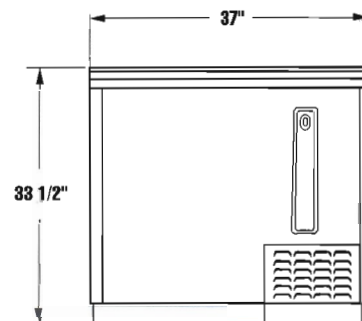
- 3 & 4" Locking, Swivel Casters
- 6" Adjustable Legs
- SS Models — Stainless Steel Exterior, Galvanized Steel Interior
- Remote Models
- Additional Bin Dividers
- Locking Lids



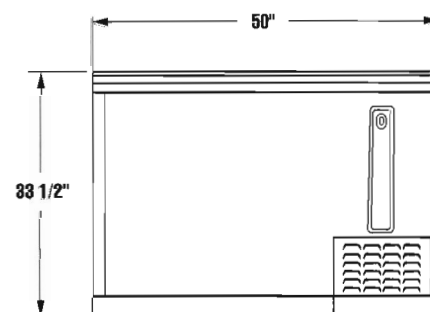


Continental Bottle Coolers

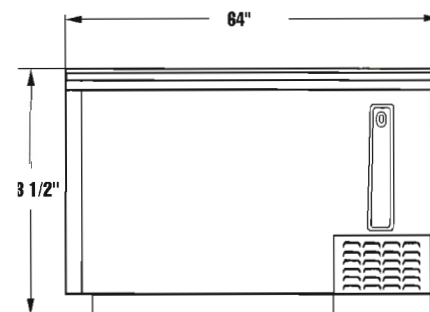
SPECIFICATIONS	Refrigerator Model #			
	CBC37	CBC50	CBC64	CBC95
DIMENSIONAL DATA				
Net Capacity (cu. ft.)	10.3	15.1	20.3	32.0
Case Capacity – 12 oz. Bottle (# Cases)	12	18	25	40
Case Capacity – 12 oz. Cans (# Cases)	18 1/2	27	37	59
Width, Overall (in.)	37	50	64	95
Depth, Overall (Less Cap Catcher) (in.)	27 1/2	27 1/2	27 1/2	27 1/2
Height, Overall (in.)	33 1/2	33 1/2	33 1/2	33 1/2
Number of Slide Lids	1	2	2	3
Number of Bin Dividers	2	3	4	8
Condensing Unit Size (H.P.)	1/5	1/3	1/3	1/2
Refrigerant	R-134a	R-134A	R-134A	R-134A
Cabinet Electrical Specs	115/60/1	115/60/1	115/60/1	115/60/1
Total Amps	5.2	8.0	8.0	10.3
Power Supply Cord	YES	YES	YES	YES
Shipping Weight (lbs.)	215	265	315	435
Shipping Height (in.)	44	39	39	39
Shipping Length (in.)	33	57 3/4	71 3/4	102 3/4
Shipping Depth (in.)	41	30 1/4	30 1/4	30 1/4



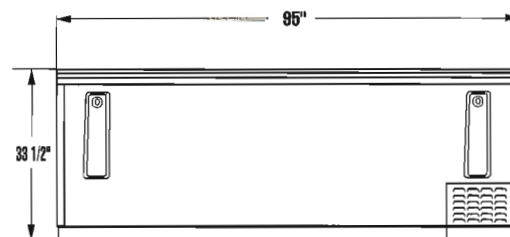
CBC37 FRONT VIEW



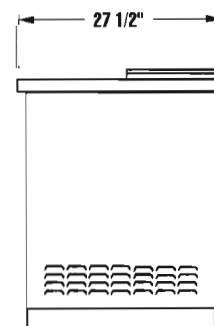
CBC50 FRONT VIEW



CBC64 FRONT VIEW



CBC95 FRONT VIEW



CBC Side VIEW

Note: All specifications subject to change without notice.

Continental Refrigerator