

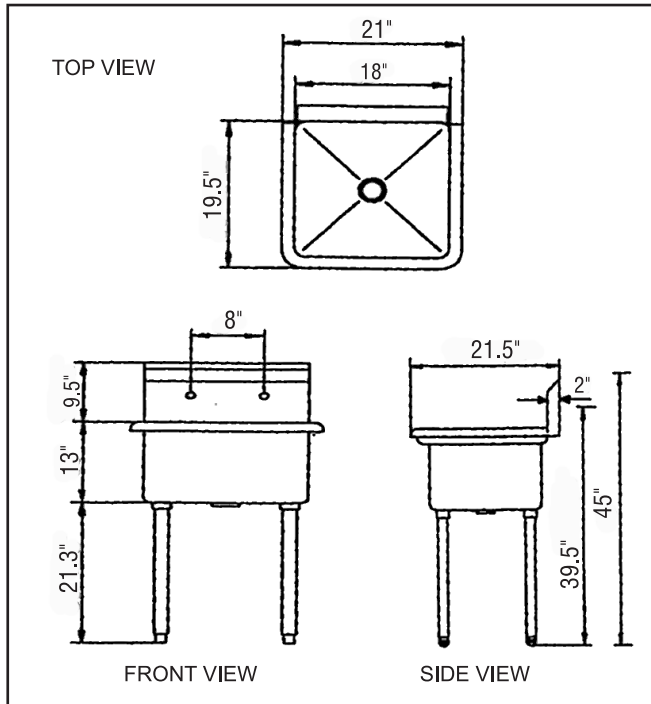
Prep Sinks Handsinks

Stainless steel
NSF approved



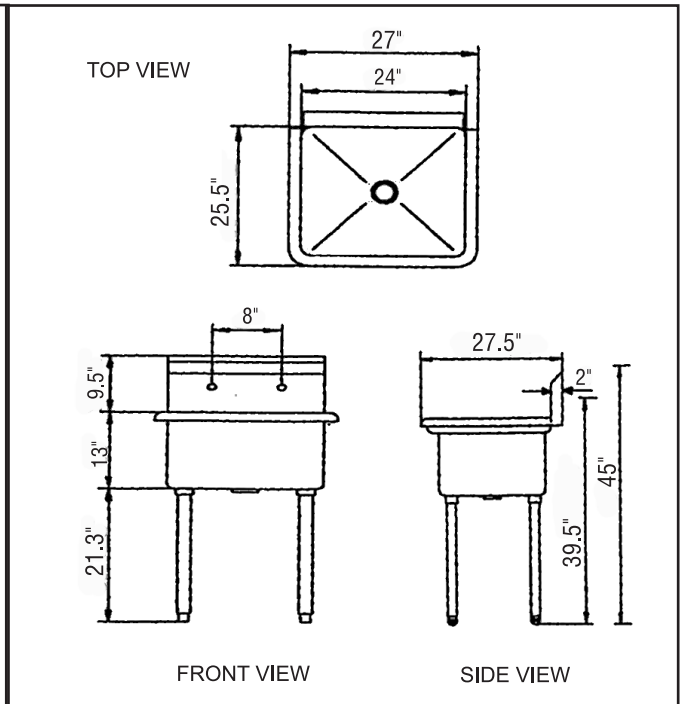
SSP-18

One compartment w/o drainboard

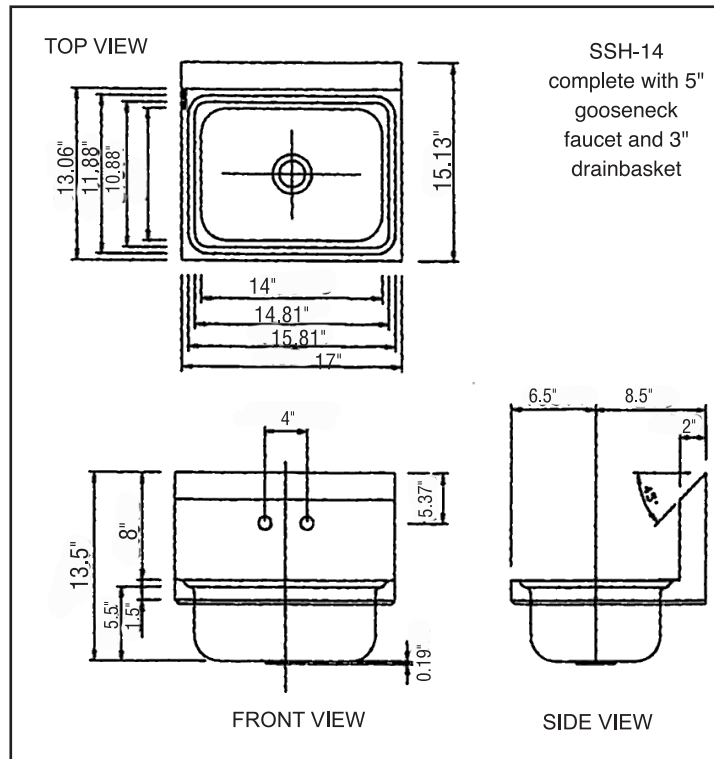


SSP-24

One compartment w/o drainboard



SSH-14 Handsink



Jimex Corp.

1575 Zephyr Avenue, Hayward CA 94544 (800) 314-4477 (510) 477-3400 Fax: (510) 477-3412
info@jimex-coldtech.com www.coldtechUSA.com