



*Reaching New Heights*

Date Modified 6/2/08

**Six Half Door Refrigerator**



**JHD-61R**  
61 cu.ft., 3 section



Patent # *D445, 159S*  
*D445, 160S*  
*D445, 161S*

***Stainless steel interior & exterior standard!***  
***Recessed door handles!***  
***Exterior digital temperature controls!***  
***Convenient low box height design!***  
***Energy saving half door design!***

**STANDARD FEATURES:**

- Recessed Door Handles
- Self-Contained Top Mounted Refrigeration System
- 2 Vinyl-Coated Wire Shelves per Door
- 5" Casters Included
- Specifically Designed 76.2" High for Easy Mobility and Installation
- Reinforced Door Hinges
- CFC-free R-134a Refrigerant
- Evaporative Electric Condensate Pan
- Fully Coved Interior Corners
- Automatic Door Closure with 90° Hold Open Feature
- Door Locks
- 2.5" Thick Foamed-in-place Polyurethane Insulation
- Exterior Digital Temperature Control
- Snap-In Magnetic Door Gaskets
- Assembled in USA

**MATERIALS:**

INTERIOR: Stainless steel interior walls, floor, and ceiling.  
Vinyl-coated wire shelves.  
EXTERIOR: Stainless steel sides and doors



**DIMENSIONAL DATA:**

| Model No. | L     | D     | H     | Doors | Cu.Ft. | Shelves | H/P     | Volt     | Amp.  | NEMA  | Ship Wt. |
|-----------|-------|-------|-------|-------|--------|---------|---------|----------|-------|-------|----------|
| JHD-61R   | 74.8" | 31.8" | 76.2" | 6     | 61     | 12      | 1/3,1/5 | 115/60/1 | 10.89 | 5-20P | 715      |



**Solid Door Refrigerator**

**JHD-61R**

Description: Six solid half door refrigerator, 61 cu. ft.

**Features & Benefits**

**Stainless steel interior and exterior for greater durability, construction and appearance.**

**Recessed door handles with plastic door handle gaskets for ease of use.**

**Self-contained top mounted refrigeration system and high humidity coated fin coil evaporator.**

- Holds 30° F to 45° F as refrigerator

**Automatic interior light in both refrigerator sections. Cabinet is partitioned to keep one section at a separate temperature than the other section.**

**Exterior LED temperature display with digital controls. Temperature setting is easy, fast and accurate.**

**Micro-controller with adjustable temperature variance, setpoint limits, and parameter locking functions.**

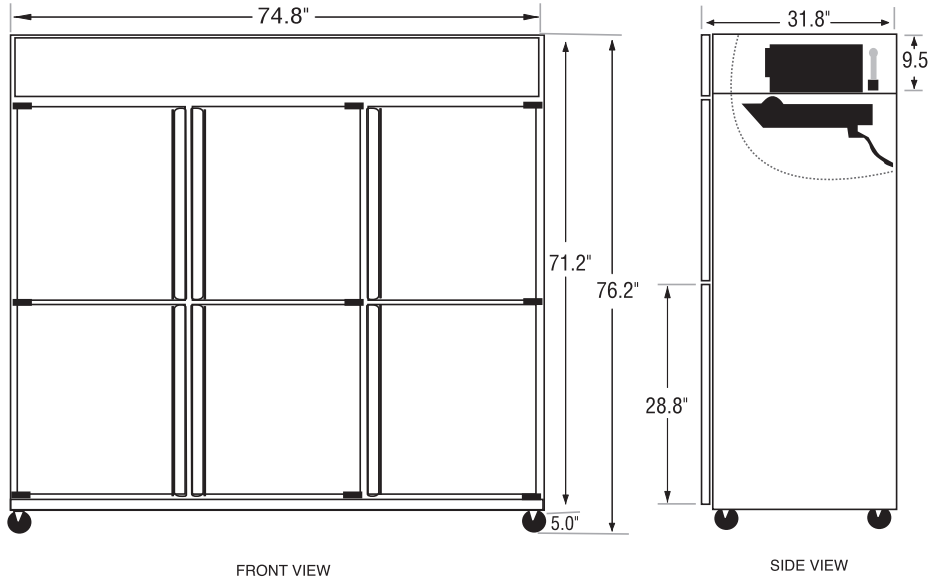
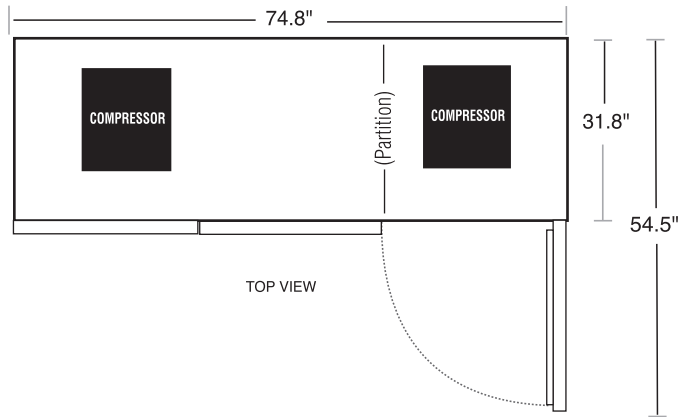
**12 adjustable vinyl-coated steel wire shelves.**

**5" casters standard. Easy mobility and installation.**

**Convenient and energy-efficient half-door design.**

**Electric condensate evaporator - no floor drain required!**

**Reinforced door hinges with 90 degree hold open feature.**



| FACTORY OPTIONS  |          |                             |             |
|--|----------|-----------------------------|-------------|
| Suffix 1   | Suffix 2 | Description                 | Add to List |
| -6G  |          | Glass doors, light switches | \$3150      |
| -4G  |          | 4 glass doors, light switch | \$2100      |
|  | -L       | Left 4 glass doors          |             |
|  | -R       | Right 4 glass doors         |             |
| -3G  |          | 3 glass doors, light switch | \$1575      |
| More glass door configurations available, see price list |          |                             |             |



NEMA 5-20P plug  
5-20R receptacle required

**General Information**

|   |                      |                              |                              |
|---|----------------------|------------------------------|------------------------------|
| <b>Cubic Ft.:</b> 61                                  | <b>Half Doors:</b> 6 | <b>Exterior:</b> Stainless   | <b>Interior:</b> Stainless   |
| <b>Shelf Size:</b> 24.75"x20.5" (x4) 24.5" x 22" (x8) |                      | <b>Unit Weight:</b> 690 lbs. | <b>Ship Weight:</b> 715 lbs. |

**Technical Data**

|                            |                          |                            |                            |
|----------------------------|--------------------------|----------------------------|----------------------------|
| <b>Refrigerant:</b> R-134A | <b>Start Amps:</b> 18.63 | <b>Run Amps:</b> 10.89     | <b>Horsepower:</b> 1/3,1/5 |
| <b>Volts:</b> 115          | <b>#Compressors:</b> 2   | <b>Cord Length:</b> 82 in. |                            |