



Reaching New Heights

One Full Door Freezer



JFD-23F
23 cu.ft., 1 section

Stainless steel interior & exterior standard!
Fully-recessed door handles!
Slide shelving system!
Exterior digital temperature controls!

STANDARD FEATURES:

- Fully Recessed Door Handles
- Self-Contained Bottom Mounted Refrigeration System
- 3 Epoxy-Coated Wire Shelves
- 5" Casters Included
- Door Lock
- Reinforced Door Hinges
- CFC-free R-404a Refrigerant
- Evaporative Hot Gas Condensate Pan
- Fully Coved Interior Corners
- Automatic Door Closure with 90° Hold Open Feature
- Slide Shelving System
- 2.5" Thick Foamed-in-place Polyurethane Insulation
- Exterior Digital Temperature Control
- Snap-In Magnetic Door Gaskets
- Made in USA from imported parts

MATERIALS:

INTERIOR: Stainless steel interior walls, floor, and ceiling.
Epoxy-coated wire shelves.

EXTERIOR: Stainless steel sides and door



Standard 007

ISO 17025:2005 Certified

DIMENSIONAL DATA:

Model No.	L	D	H	Cu.Ft.	Shelves	H/P	Volt	Amp.	NEMA	Ship Wt.
JFD-23F	29.1	32.0	81.8	23	3	1/2	115/60/1	8.5	5-15P	320



Solid Door Freezer JFD-23F

Description: One solid full door freezer, 23 cu. ft

Features & Benefits

Stainless steel interior and exterior for greater durability, construction and appearance.

Self-contained bottom mounted refrigeration system and high humidity coated **fin coil** evaporator.

- Holds -10° F to 10° F as freezer

Exterior LED temperature display with digital controls. **Temperature setting is easy, fast and accurate.**

Micro-controller with adjustable temperature variance, automatic defrost intervals, setpoint limits, and parameter locking functions.

2.5" thick, foamed-in-place polyurethane high density insulation.

3 adjustable epoxy-coated steel wire shelves. Built-in tray slides to accommodate shelves (standard) or 18"x26" sheet pans (optional).

5" casters standard. **Easy mobility and installation.**

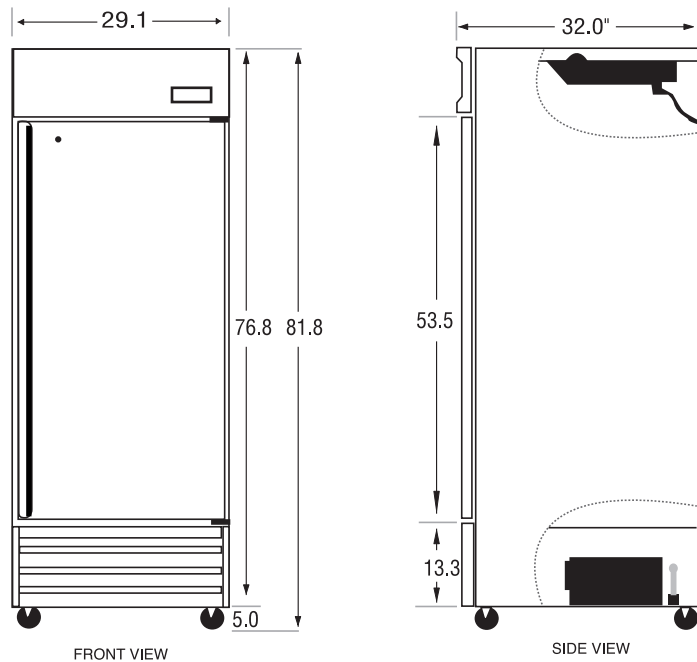
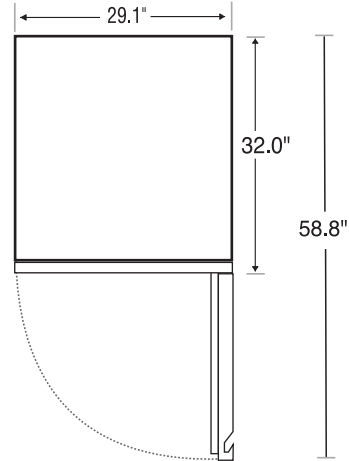
Heavy-duty overall construction for high-volume, constant duty operation.

Self-closing door with 90° hold open feature.

Door lock standard.

Door handle gaskets for ease of use.

Hot gas condensate - **no floor drain required!**



OPTIONS

- | | | |
|--------------------------|----------------------------|------------|
| <input type="checkbox"/> | Extra Interior Shelves | Qty. _____ |
| <input type="checkbox"/> | Extra Shelf Slide Brackets | Qty. _____ |
| <input type="checkbox"/> | Tray Slide Brackets | Qty. _____ |

General Information

Cubic Ft.: 23

Doors: 1

Exterior: Stainless

Interior: Stainless

Shelf Size: 25.0" x 20.75"

Unit Weight: 290 lbs.

Ship Weight: 320 lbs.

Technical Data

Refrigerant: R-404a

Start Amps: 10.6

Run Amps: 8.5

Horsepower: 1/2

Volts: 115

#Compressors: 1

Cord Length: 82 in.

SPECIFICATIONS SUBJECT TO CHANGE WITHOUT NOTICE