

Automatic Pulp and Juice Extractors



- 3/4 H.P. motor with on-off, push type switch on C80.
- 1 H.P. motor with on-off, push type switch on C120.
- Attachments remove easily for cleaning.
- Stainless steel construction.
- Large feed tray.
- Automatic sieve.
- Attractive, functional design—C80 uses 22" x 14-1/2" of counter space. C120 uses 33" x 19" of floor space.
- 1 year parts and labor warranty.

***C120 produces up to 275 lbs. per hour.
C80 produces up to 165 lbs. per hour.***

Automatically separate juice, seeds, skin from a variety of fruits.

Robot Coupe U.S.A., Inc.
P.O. Box 16625
Jackson, MS 39236-6625
1-800-824-1646
FAX: (601) 898-9134
www.robotcoupeusa.com
e-mail: robocoup@misnet.com
SPECIFICATIONS ON
REVERSE SIDE

Specifications

STANDARD PACK:

- C80 Complete stainless steel unit with motor, automatic sieve, one clear plastic pulp container and one clear plastic juice container with 1mm perforated basket.
- C120 Complete stainless steel unit with motor, automatic sieve and discharge chute.

ELECTRICAL:

- C80 115 volt, 60 Hz, 12 amps, single phase.
 C120-1 115 volt, 60 Hz, 12 amps, single phase.
 C120-2 220 volt, 60 Hz, 4.5 amps, three phase.

MOTOR:

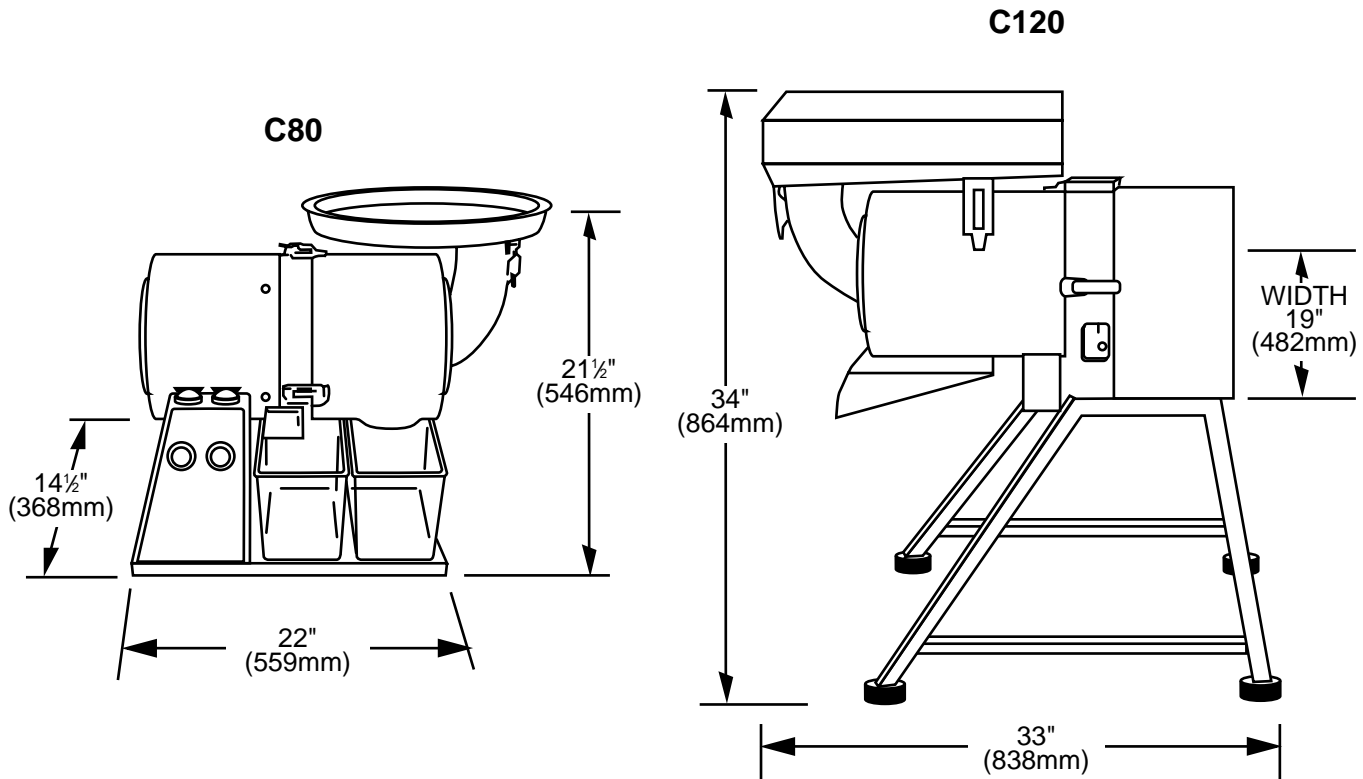
- C80 3/4 H.P., 1725 R.P.M.
 C120-1 1 H.P., 1725 R.P.M.
 C120-2 1 H.P., 1725 R.P.M.

SWITCHING: On-off, push-type.

WEIGHT:

- C80 48 net lbs., 52 lbs. approximate shipping weight.
 C120 101 net lbs., 110 lbs. approximate shipping weight.

OPTIONAL EQUIPMENT: .5mm perforated basket, 3mm perforated basket, equipment cart.



Distributed by:

Robot Coupe U.S.A., Inc.
 P.O. Box 16625
 Jackson, MS 39236-6625
1-800-824-1646
 FAX: (601) 898-9134
 www.robotcoupeusa.com
 e-mail: robocoup@misnet.com